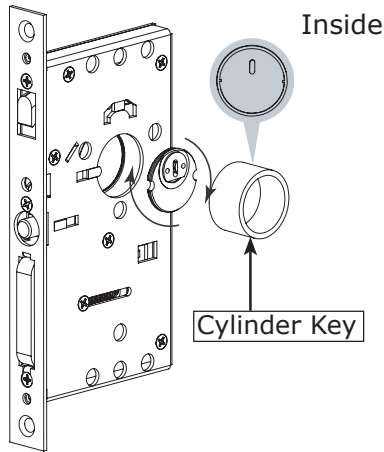




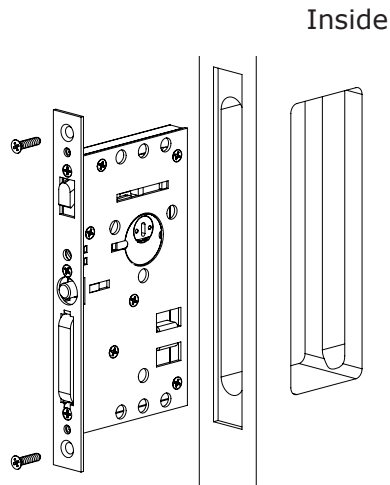
### 1. Install Drive Bar Cylinder

Use **Cylinder Key** to thread Drive Bar Cylinder clockwise on **interior side** of door.



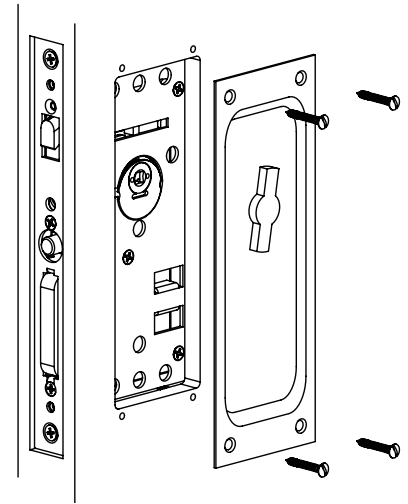
Note: Notches on cylinder must be parallel with the horizontal plane when screwed **flush** into lock body.

### 2. Install Lock Body

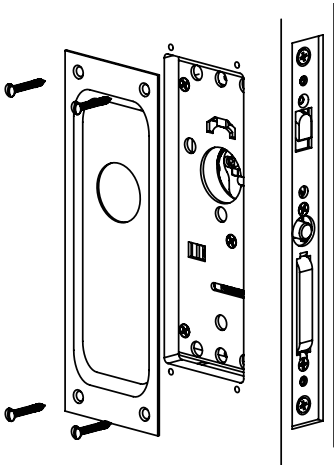


See template for door prep specifications

### 3. Mount Inside Plate

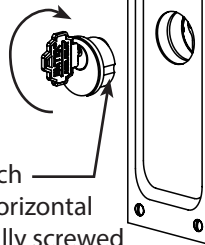


### 4. Mount Outside Plate



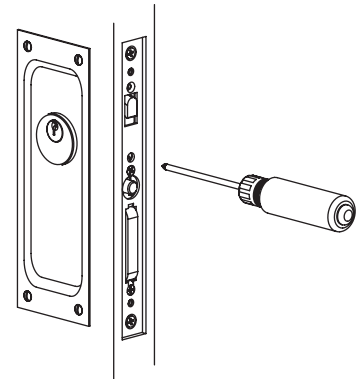
### 5. Thread Key Cylinder

Install Key Cylinder by threading it clockwise onto lock body plate



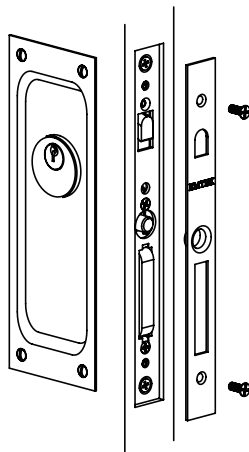
Key Cylinder notch must be at the horizontal position when fully screwed in lock body.

### 6. Tighten Drive Bar Cylinder

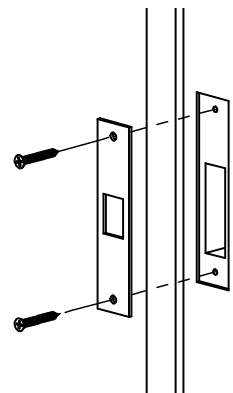


Tighten locking screw to engage notch on cylinder

### 7. Install Trim Plate



### 8. Install Door Jamb

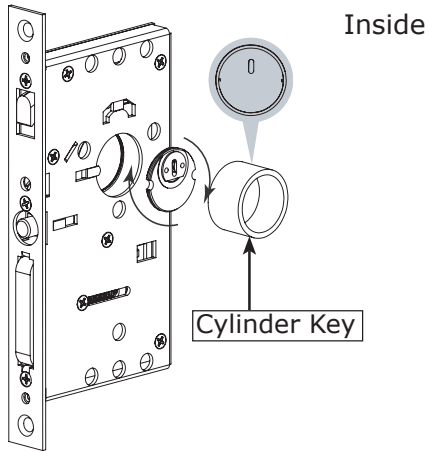


Drill two 7/64" pilot holes

See template for door jamb prep specifications

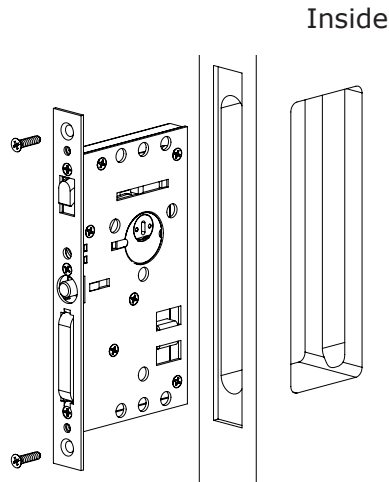
### 1. Install Drive Bar Cylinder

Use **Cylinder Key** to thread Drive Bar Cylinder clockwise on **interior side** of door.



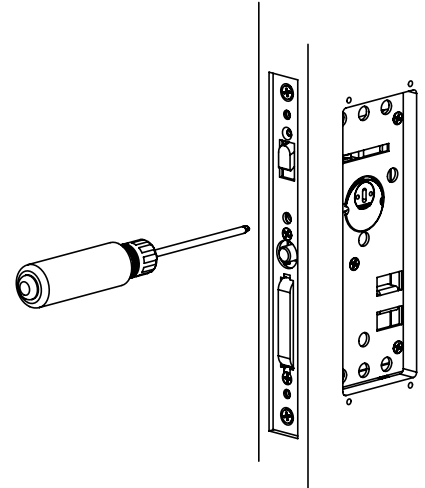
Note: Notches on cylinder must be parallel with the horizontal plane when screwed **flush** into lock body.

### 2. Install Lock Body

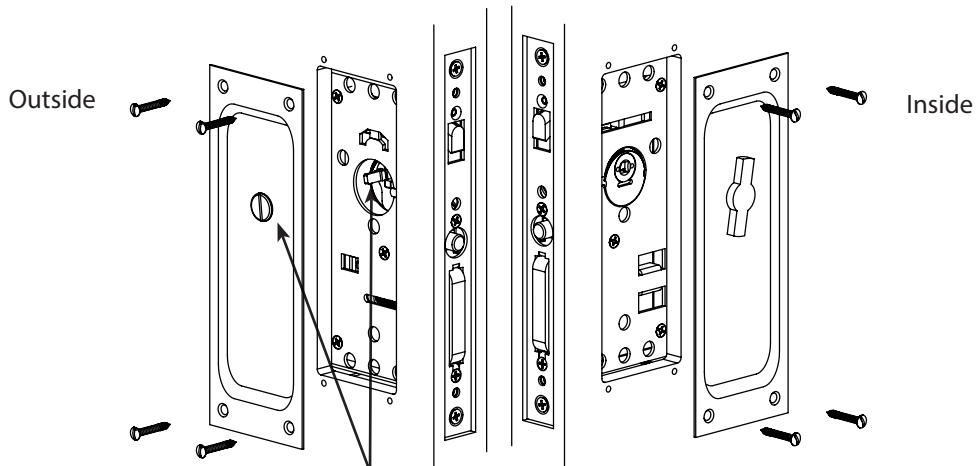


See template for door prep specifications

### 3. Tighten Drive Bar Cylinder

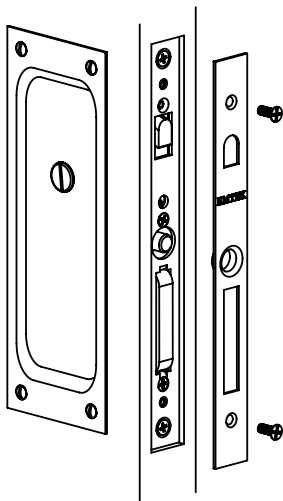


### 4. Mount Inside/Outside Plates

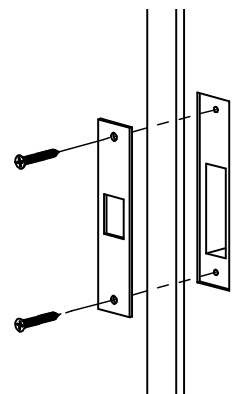


Align Passage/Privacy Button with Thumb-Turn tail piece and secure trim plates to door.

### 5. Install Trim Plate



### 6. Install Door Jamb

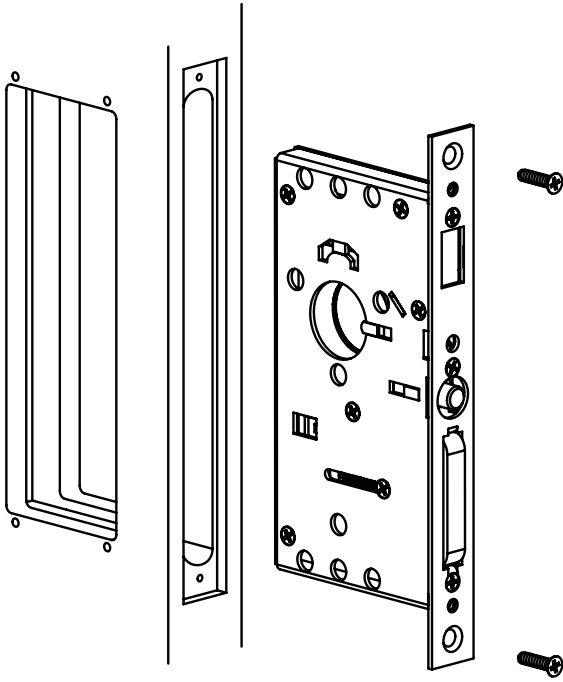


Drill two 7/64" pilot holes

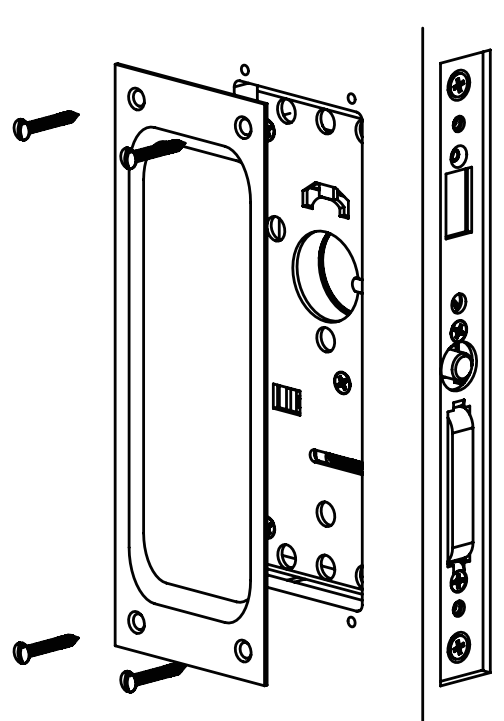
See template for door jamb prep specifications

### 1. Install Lock Body

### 2. Install Outside Plate



See template for door prep specifications



### 3. Install Inside Plate

### 4. Install Trim Plate

