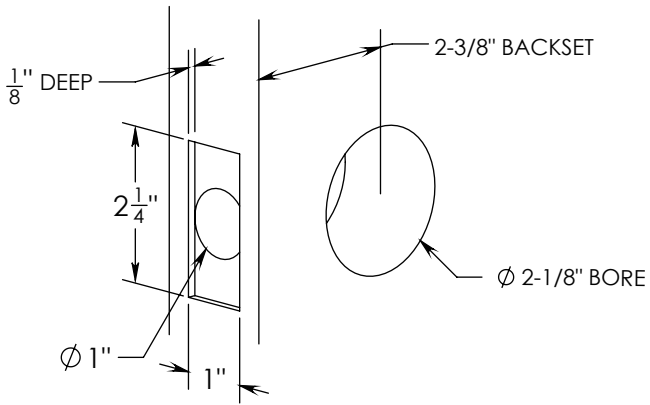


Installation Instructions

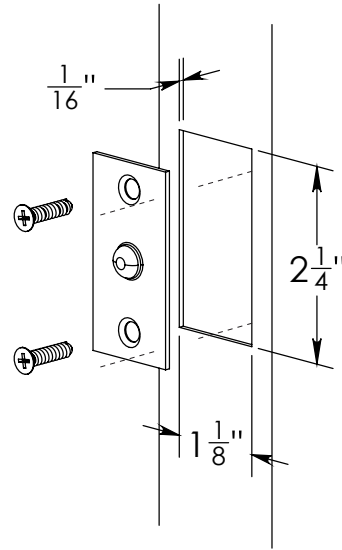
Tubular Pocket Door Lock, Passage Function

EMTEK®

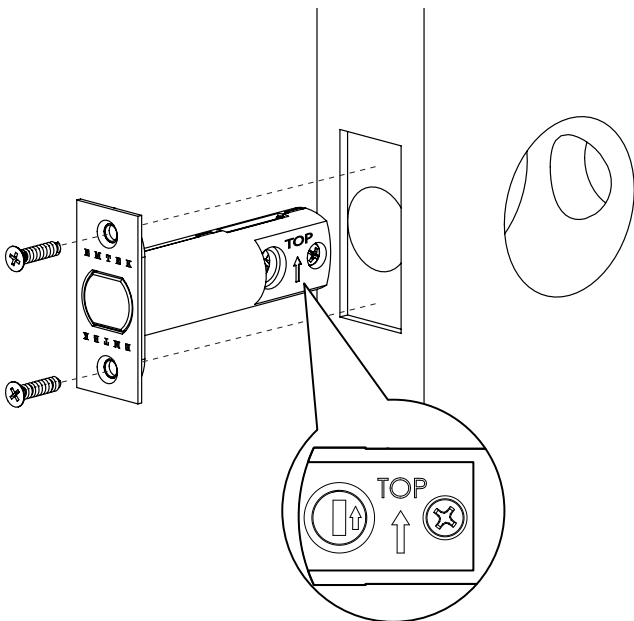
1. Door Prep



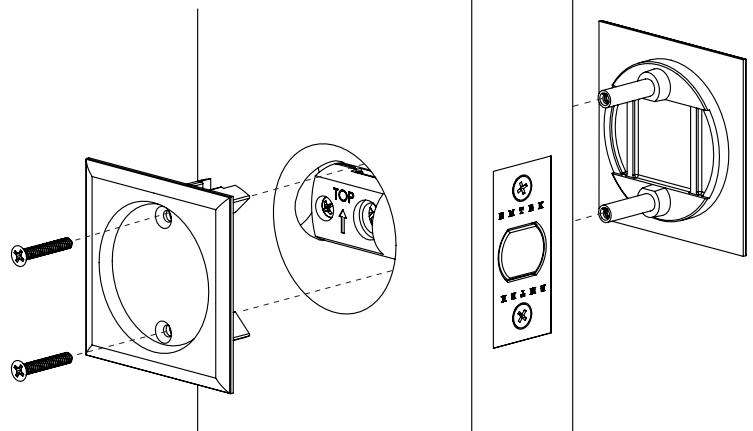
2. Jamb Prep



3. Install Latch



4. Install Interior and Exterior Trims

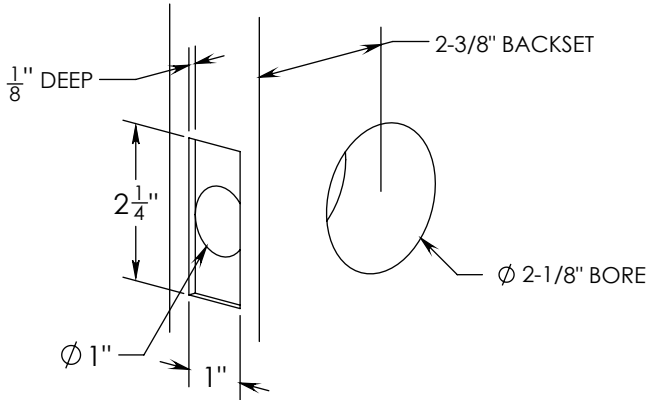


Trims vary depending on style

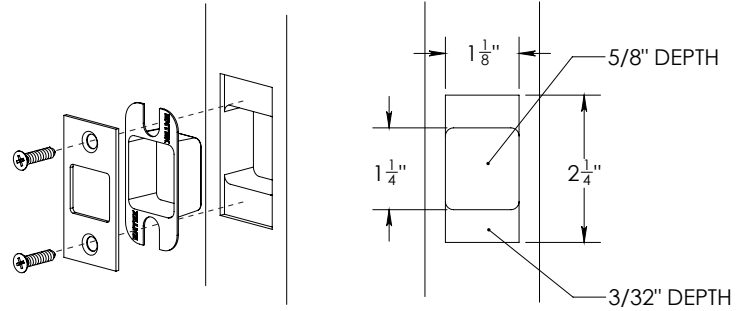
Installation Instructions - Tubular Pocket Door Lock, Privacy Function

EMTEK®

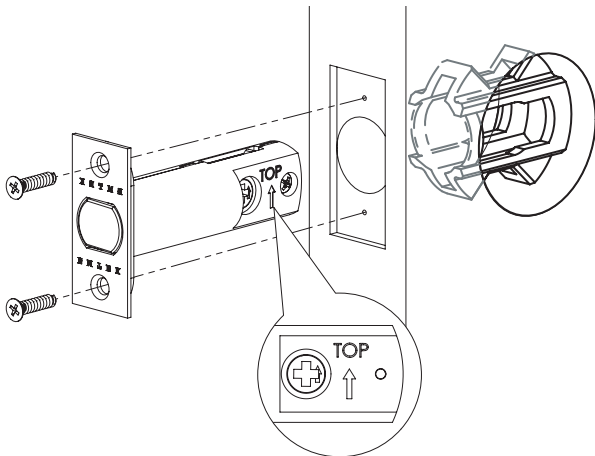
1. Door Prep



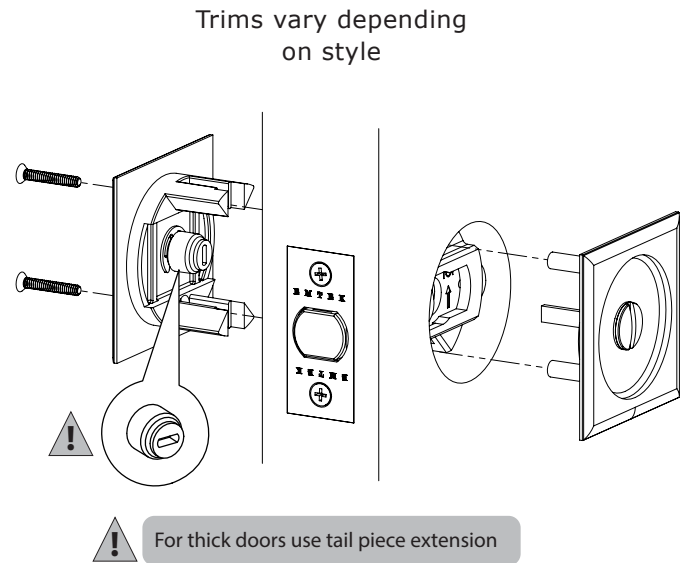
2. Jamb Prep



3. Install Latch



4. Install Interior and Exterior Trims

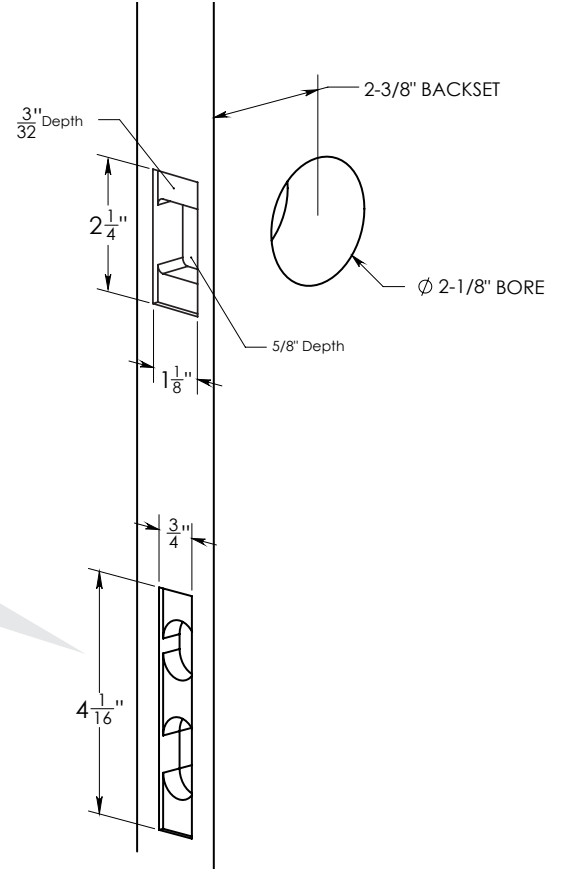
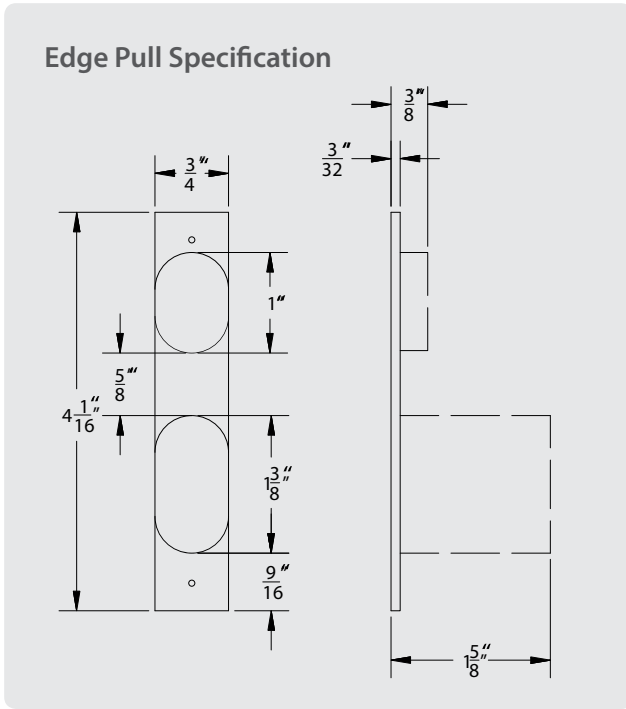


Installation Instructions

Tubular Pocket Door Lock, Dummy for Double Door Application

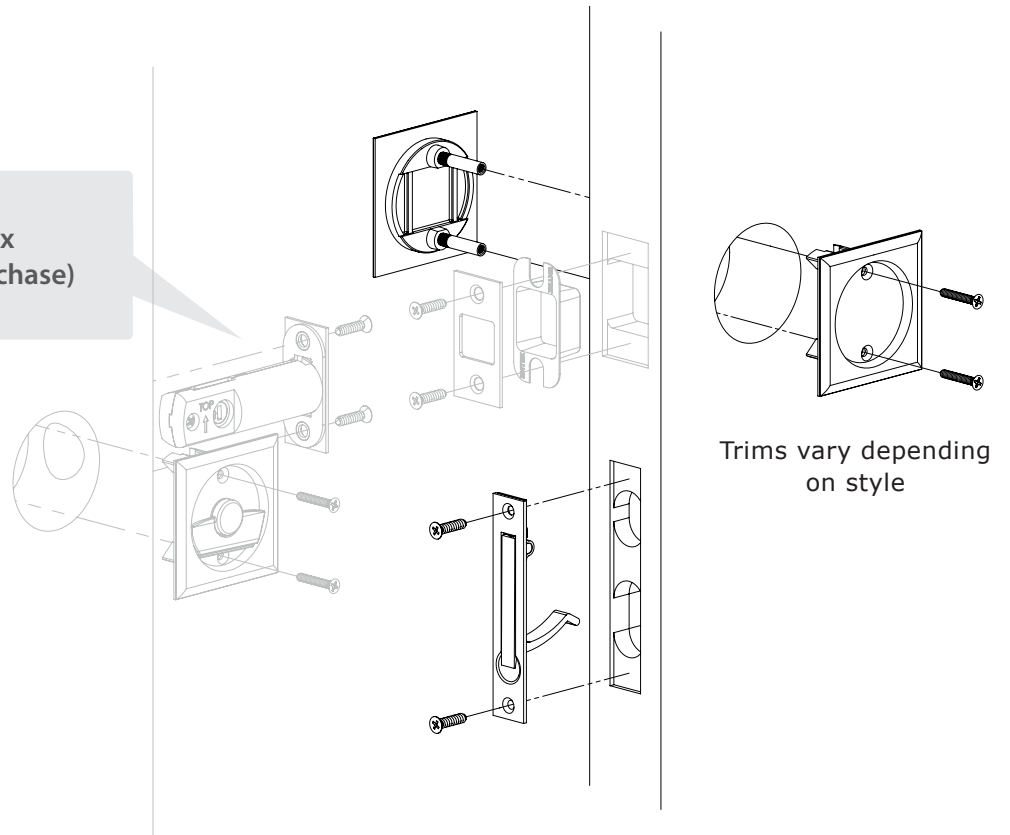
EMTEK®

1. Door Prep



2. Dummy for Double Door Application

Privacy Strike Plate and Dust Box
(Included with Privacy Lock Purchase)



Trims vary depending on style