
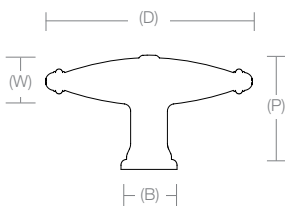


RIBBON & REED


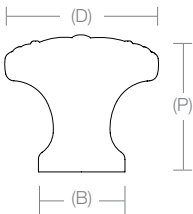
Cabinet Knobs & Pulls Technical Specifications

EMTEK


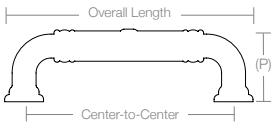
Ribbon & Reed Finger Knob (Discontinued. No Longer Available)

		Product Code	Dimension(D)	Projection(P)	Base Diameter(B)	Width(W)
		86279	1 3/4"	1 1/4"	3/4"	1/2"
		86280	3"	1 5/8"	3/4"	5/8"


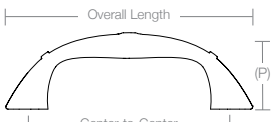
Ribbon & Reed Knob

		Product Code	Dimension(D)	Projection(P)	Base Diameter(B)
		86277	1 1/4"	1 1/4"	5/8"
		86278	1 3/4"	1 1/2"	1"

Ribbon & Reed Fixed Pull - Estate

		Product Code	Overall Length	Dimension C-to-C	Projection(P)
		86283	3 5/8"	3"	1 1/4"
		86284	4 1/8"	3 1/2"	1 1/4"
		86285	4 5/8"	4"	1 1/4"
		86286	6 5/8"	6"	1 1/4"
		86287	10 5/8"	10"	1 3/8"

Ribbon & Reed Fixed Pull - Regal (Discontinued. No Longer Available)


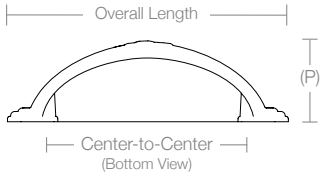
		Product Code	Overall Length	Dimension C-to-C	Projection(P)
		86288	4 1/8"	3"	1 1/2"
		86289	4 5/8"	3 1/2"	1 1/2"
		86290	5 1/4"	4"	1 1/2"
		86291	7 1/4"	6"	1 1/2"
		86292	11 1/4"	10"	1 1/2"

RIBBON & REED


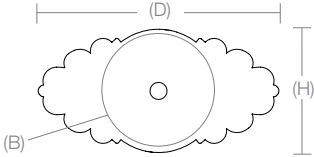
Cabinet Knobs & Pulls Technical Specifications

EMTEK


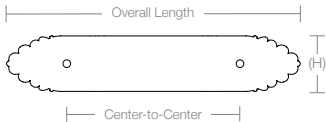
Ribbon & Reed Bin Pull

		Product Code	Overall Length	Dimension C-to-C	Height	Projection(P)
		86281	3 7/8"	3"	1 5/8"	1 1/4"
		86282	5 1/4"	4"	1 5/8"	1 1/4"

Ribbon & Reed Back Plate for Knob

		Product Code	Dimension(D)	Height (H)	Plate Diameter(B)
		86293	2 1/2"	1 1/4"	1 1/4"

Ribbon & Reed Back Plate for Pull

		Product Code	Overall Length	Dimension C-to-C	Height (H)
		86294	6 3/4"	4"	1 1/2"