

Round & Square Deadbolts, **Single** Cylinder  
Round (S50001) & Square (S50003)

- Standard Door Thickness: 1 3/8" - 2"
- Standard Components:
- Single Cylinder Tailpiece
- 2 1/4" Socket Head Machine Screws
- Deadbolt Strike Plate

- **Extended** Door Thickness: 2" - 2 1/2"
- Extended Components:
- Long Cylinder Tailpiece
- 2 1/2" & 3" Socket Head Machine Screws
- Deadbolt Strike Plate

- **Extended** Door Thickness: 2 1/2" - 3"
- Extended Components:
- Extra Long Cylinder Tailpiece
- 3" & 3 1/2" Socket Head Machine Screws
- Deadbolt Strike Plate

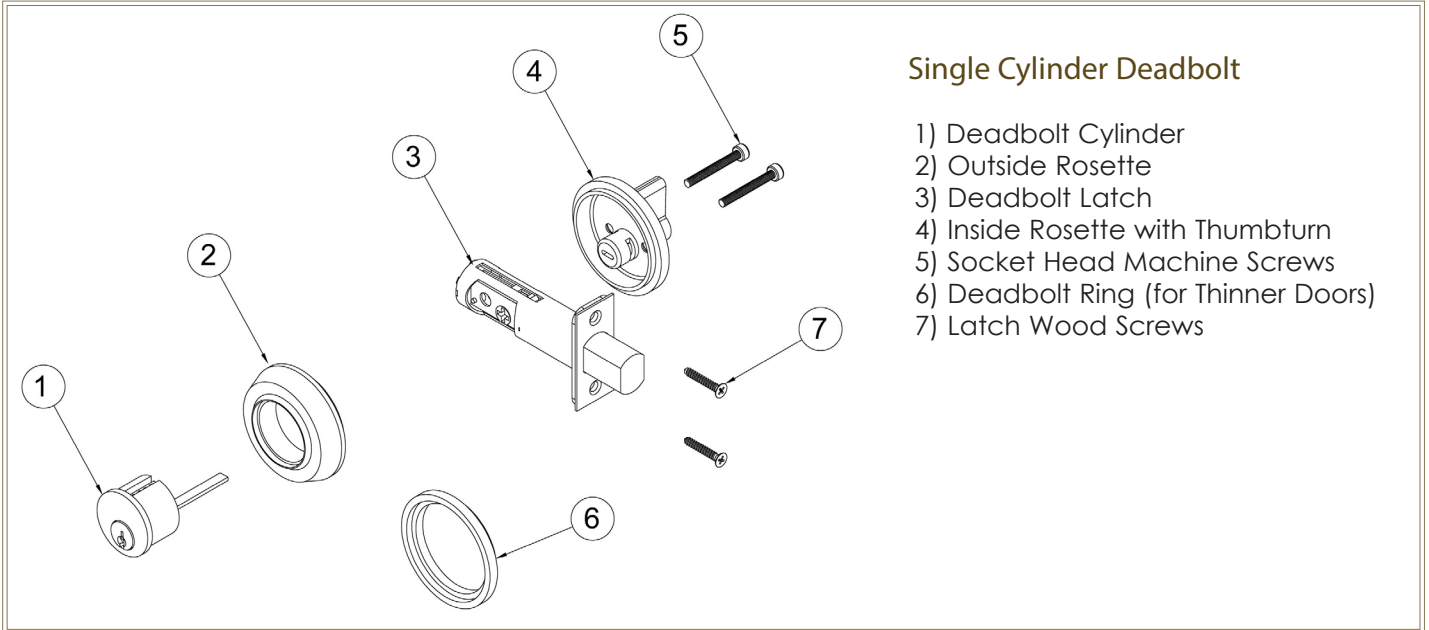
Round & Square Deadbolts, **Double** Cylinder  
Round (S50002) & Square (S50023)

- Standard Door Thickness: 1 3/8" - 2"
- Standard Components:
- Double Cylinder Tailpiece
- 2 1/4" Socket Head Machine Screws
- Deadbolt Strike Plate

- **Extended** Door Thickness: 2" - 2 1/2"
- Extended Components:
- Long Double Cylinder Tailpiece
- 3" Socket Head Machine Screws
- Deadbolt Strike Plate

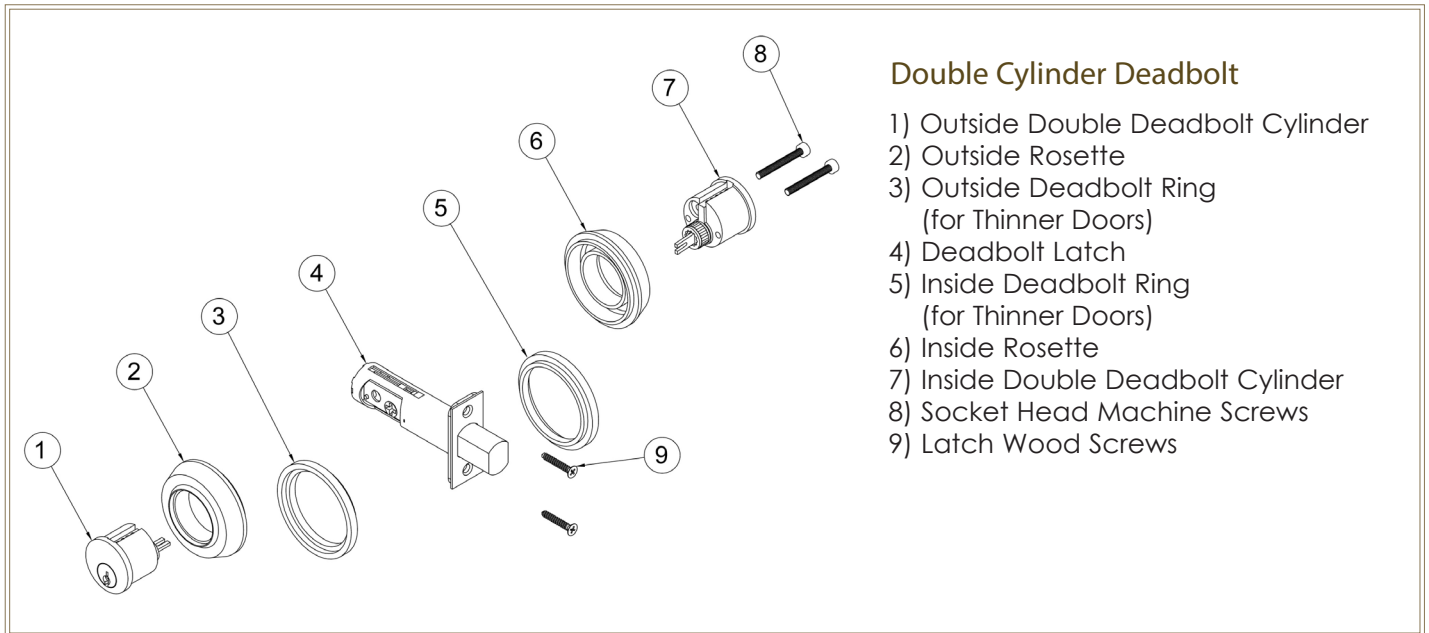
**Door Prep Specifications:**

- Fits standard door prep--2 1/8" face bore & 1" edge bore.
- Fits a range of door thickness from 1 3/8" to 2". Thicker doors--please specify.



**Single Cylinder Deadbolt**

- 1) Deadbolt Cylinder
- 2) Outside Rosette
- 3) Deadbolt Latch
- 4) Inside Rosette with Thumbturn
- 5) Socket Head Machine Screws
- 6) Deadbolt Ring (for Thinner Doors)
- 7) Latch Wood Screws



**Double Cylinder Deadbolt**

- 1) Outside Double Deadbolt Cylinder
- 2) Outside Rosette
- 3) Outside Deadbolt Ring (for Thinner Doors)
- 4) Deadbolt Latch
- 5) Inside Deadbolt Ring (for Thinner Doors)
- 6) Inside Rosette
- 7) Inside Double Deadbolt Cylinder
- 8) Socket Head Machine Screws
- 9) Latch Wood Screws

**Deadbolt Latches:**

- Hardened Steel Bolt
- 2 3/8" backset standard
- 2 3/4" backset available--please specify
- Heavy gauge steel understrike and brass trim strike supplied

**Strike & Face Plates:**

- Strike & faceplates are square cornered
- Strike Plate-- 1 1/8"W x 2 3/4"H
- Face Plate-- 1"W x 2 1/4"H (attached to latch)
- Understrike Plate--1 1/8"W x 2 3/4"H