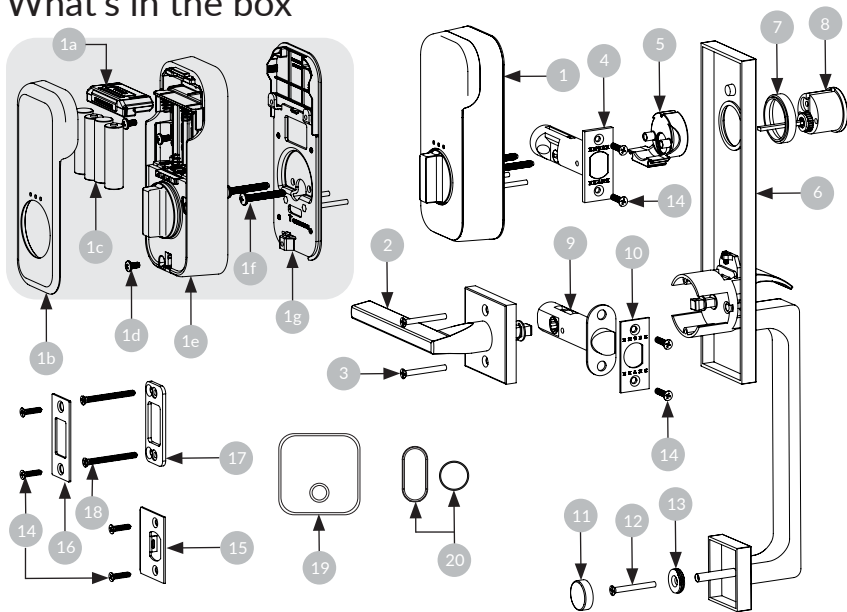


EMTEK®

EMPowered™ Motorized *SMART* Lock Upgrade
Works with Yale Access
Monolithic/Full Length Entry Set



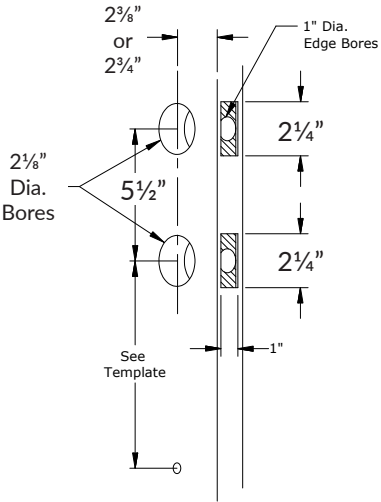
What's in the box



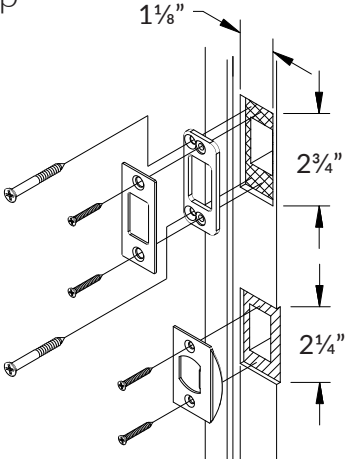
ITEM NO.	DESCRIPTION	QTY.
1	EMPowered™ Unit	1
1a	Smart Module	1
1b	Battery Cover	1
1c	AA Batteries	4
1d	M4-0.7 x 8mm Machine Screws	3
1e	Interior Escutcheon	1
1f	#10-32 x 2-1/8" Machine Screws	2
1g	Mounting Plate	1
2	Interior Knob/Lever Assembly	1
3	#8-32 x 1-1/2" Machine Screws	2
4	Deadbolt Latch 2-3/4" Backset	1
4	Deadbolt Latch 2-3/8" Backset	1
5	Deadbolt Screw Guide	1
6	Entry Set Exterior Assembly	1

ITEM NO.	DESCRIPTION	QTY.
7	Deadbolt Extension Collar	1
8	Deadbolt Cylinder	1
9	Passage Latch	1
10	Latch Face Plate	1
11	Decorative Cap	1
12	#8-32 Flat Head Machine Screw	1
13	Threaded Washer	1
14	#8 x 3/4" Wood Screws	8
15	Latch Strike Plate	1
16	Deadbolt Strike Plate	1
17	Deadbolt Security Plate	1
18	#10 x 3" Wood Screws	2
19	Connect Wi-Fi Bridge	1
20	DoorSense™	1

Door Prep



Door Jamb Prep

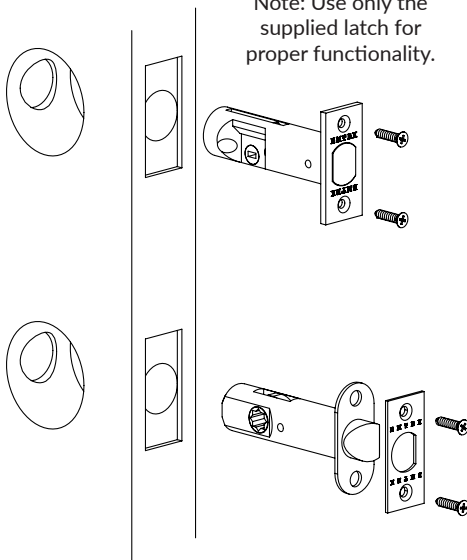


1

Install Latches

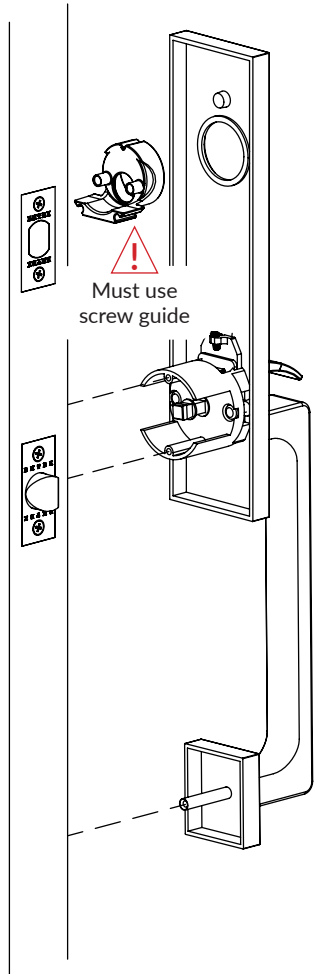
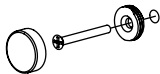
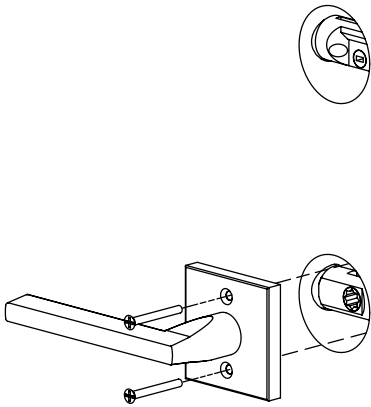


Note: Use only the supplied latch for proper functionality.



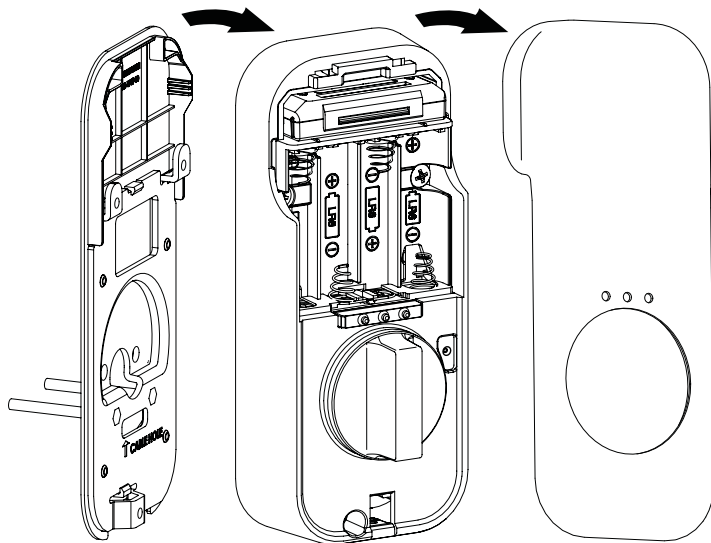
2

Install Grip and Interior Lever/Knob



3

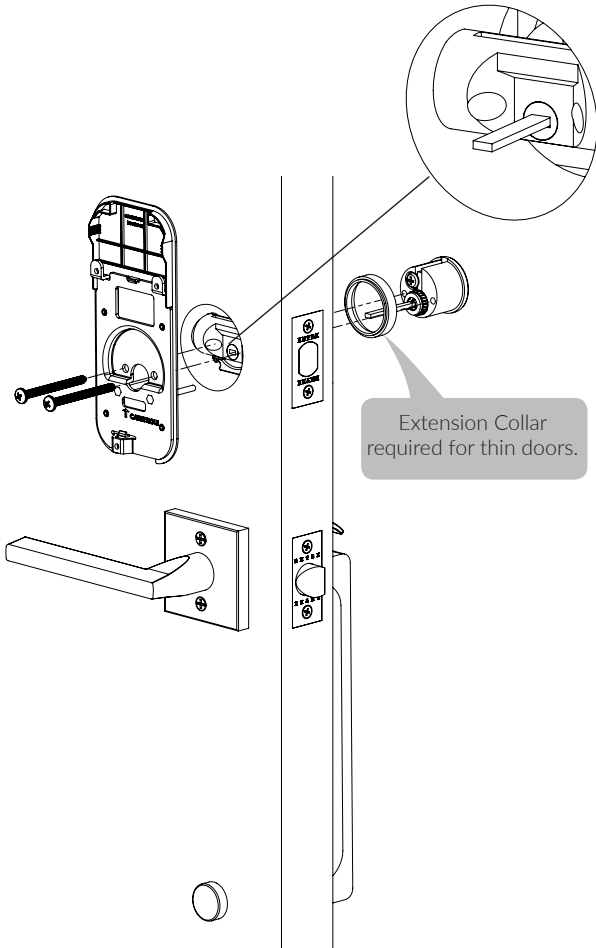
Remove Battery Cover



Loosen screw
on bottom to
remove cover.

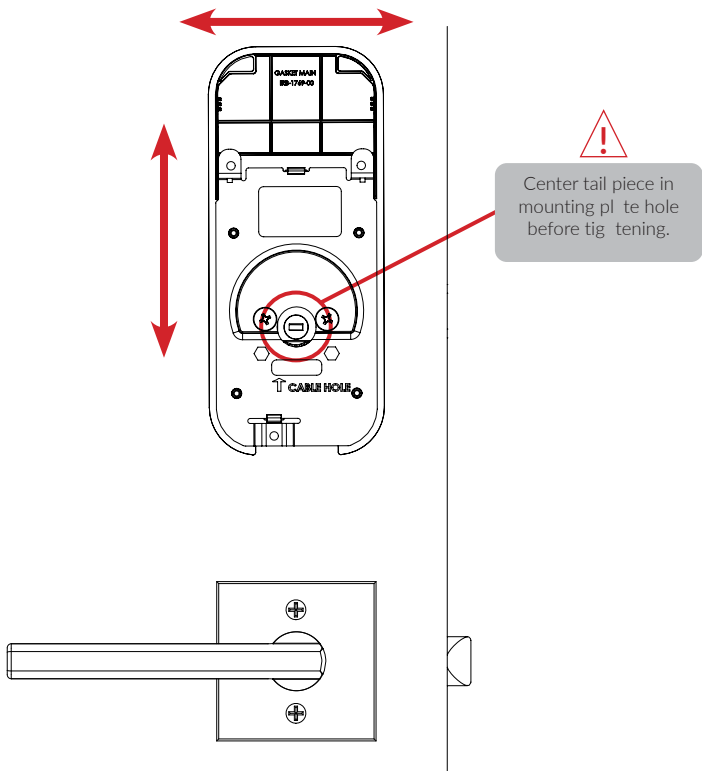
4

Install Lock Cylinder & Interior Mounting Plate



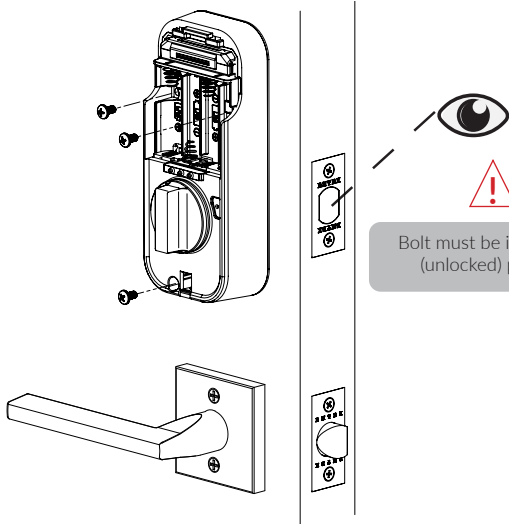
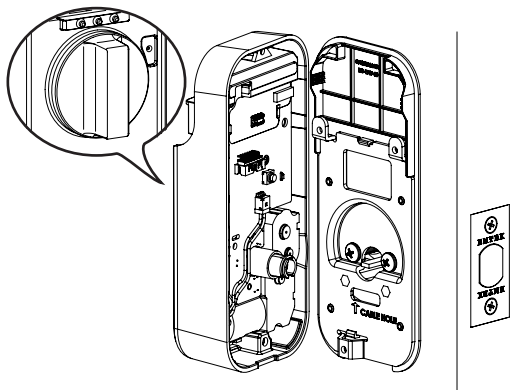
5

Check Interior Mounting Plate Alignment



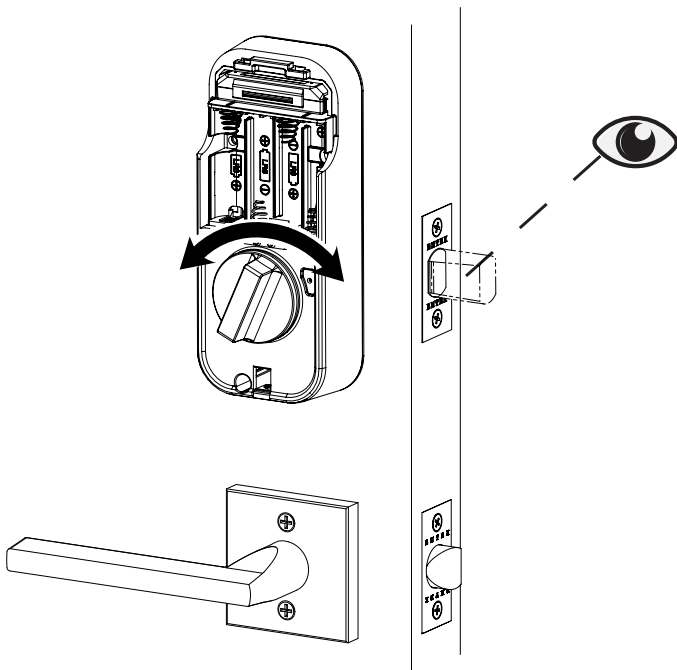
6

Install Interior Escutcheon



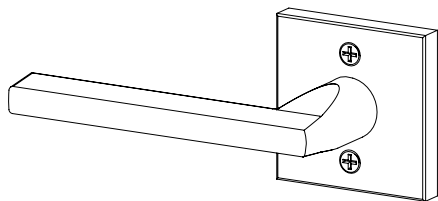
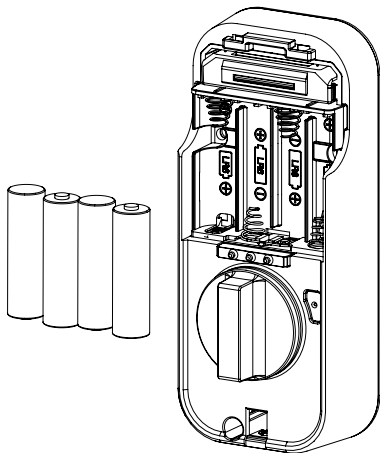
7

Testing Operation



8

Install Batteries

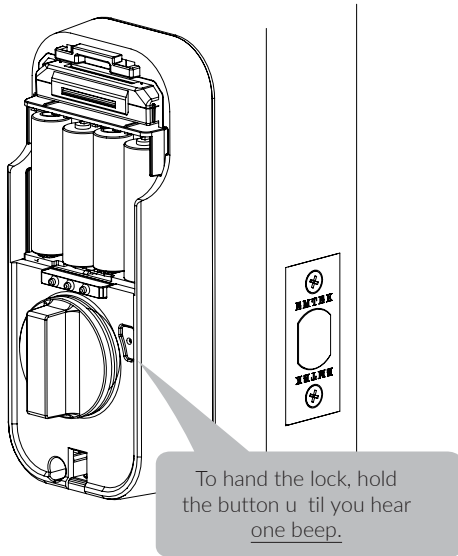


Bolt must be in retracted
(unlocked) position
before installing batteries.



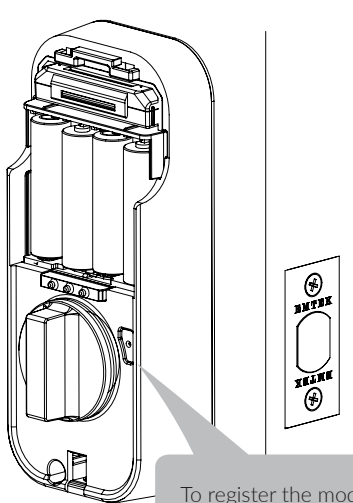
9

Handing the Lock



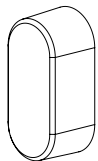
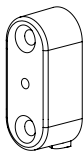
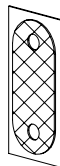
10

Register The Module

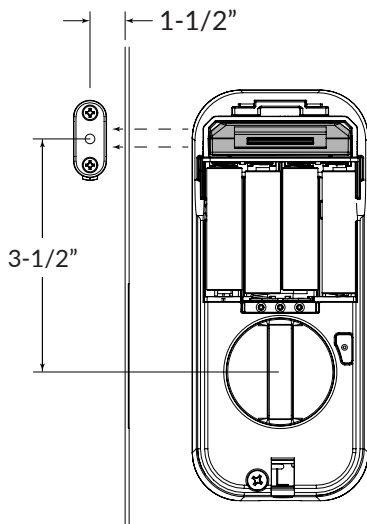


To register the module, hold the button or two seconds.

11a

Installing DoorSense™
Surface Mount OptionDoorSense™
CoverMounting
ScrewsDoorSense™
HousingMounting
Tape

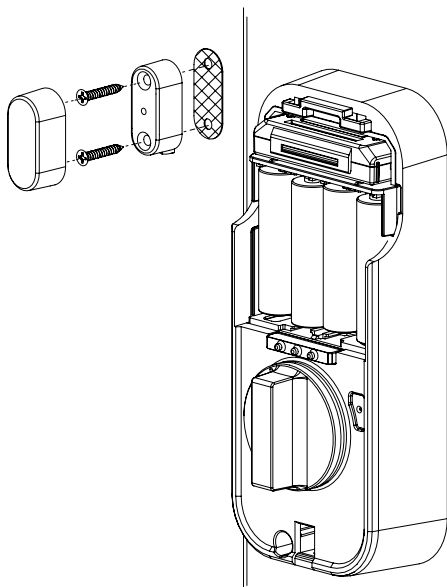
1. Determine mounting location



11a

Installing DoorSense™ Surface Mount Option

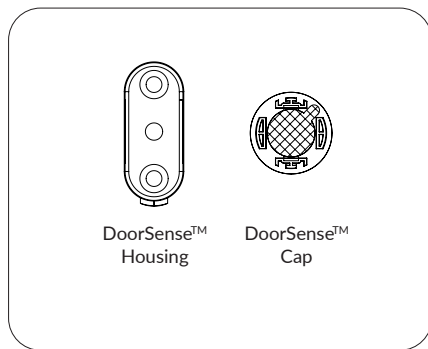
2. Attach mounting tape then screw into frame



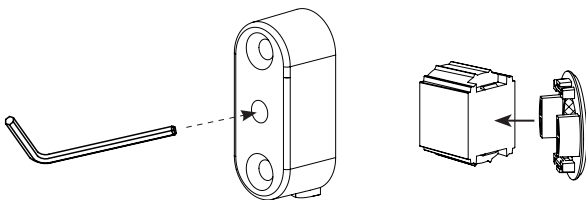
3. Complete the DoorSense™ setup in the Yale Access app
Lock Settings after completing step 12.

11b

Installing DoorSense™ Flush Mount Option



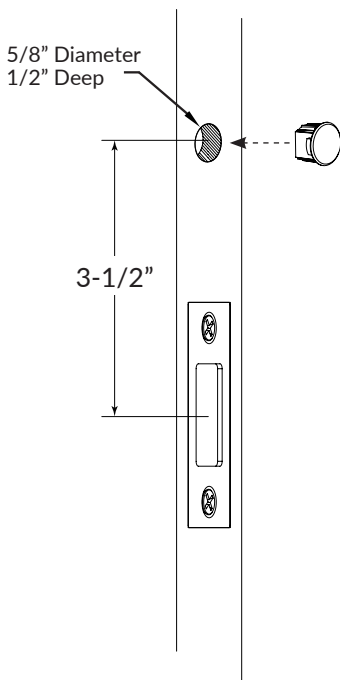
1. Remove magnet from housing and place DoorSense™ Cap onto the magnet



11b

Installing DoorSense™ Flush Mount Option

2. Drill hole and Insert DoorSense™



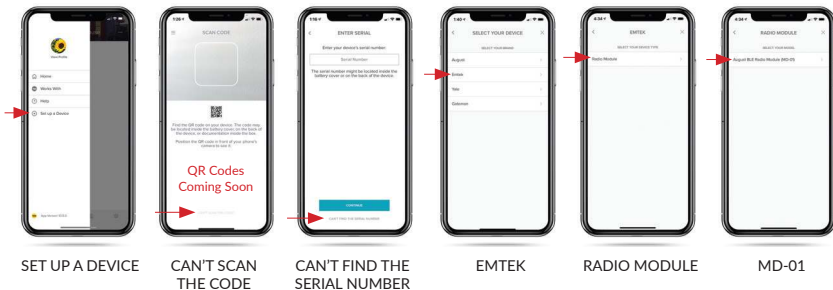
3. Complete the DoorSense™ setup in the Yale Access app Lock Settings after completing step 12.

12

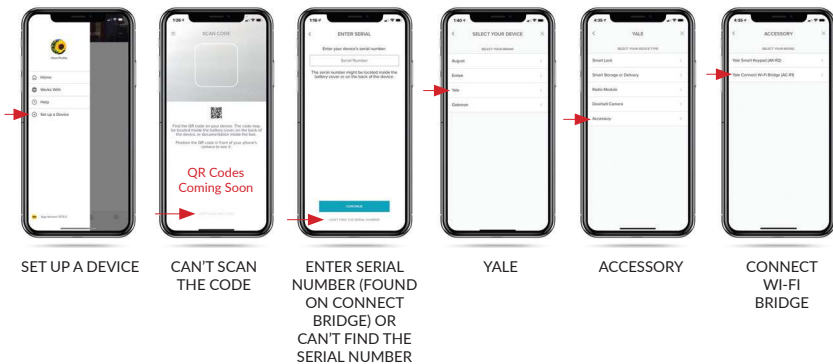
Download or go the Yale Access App to Complete Installation



Set Up an Emtek Lock in the Yale Access App

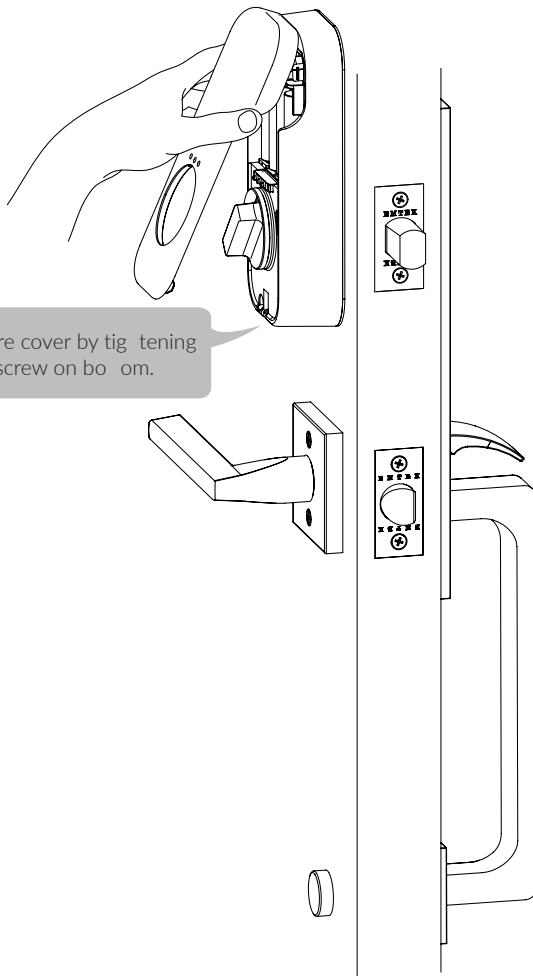


Set Up a Yale/August Connect Wi-Fi Bridge



13

Install Cover



Hardware Troubleshooting

Cycle lock in both the locked and unlocked positions. If problems are found:

Symptom	Suggested Action
Door is binding	<ul style="list-style-type: none">• Check that door and frame are properly aligned and door is free swinging.• Check hinges: They should not be loose or have excessive wear on knuckles.
Bolt will not deadlock	<ul style="list-style-type: none">• Check for sufficient clearance of the bolt within the strike-side jamb. Correct this by increasing the depth of the pocket for the bolt.• Check for misalignment of bolt and/or strike which may be preventing bolt from properly entering the strike. With the door open, extend and retract the bolt; if it is smooth, check the strike alignment.
Bolt does not extend or retract smoothly	<ul style="list-style-type: none">• Bolt and strike are misaligned, see above.• Check the backset of door relative to adjustments already made to bolt.• Verify proper door preparation and re-bore holes that are too small or misaligned.• Verify bolt is installed with correct side up (Step 1)

Definitions

Automatic Re-lock Time: After a successful code entry and the unit unlocks, it will automatically re-lock after thirty (30) seconds.

Inside Indicator Light: Located on the interior escutcheon. Shows active status (Locked) of lock and can be enabled or disabled in the Yale Access App.

Low Battery: Battery state is shown on smartphone app.

Privacy Mode: Privacy mode is disabled by default. Privacy mode is enabled/disabled in the Yale Access App.

Shutdown Time: If the wrong code is entered five (5) times, the keypad will flash for 60 seconds. The lock will not allow operation for 60 seconds.

Volume Setting Mode: The volume setting is set to Low by default; otherwise it can be set to High or Silent in the Yale Access App.

Programming Troubleshooting

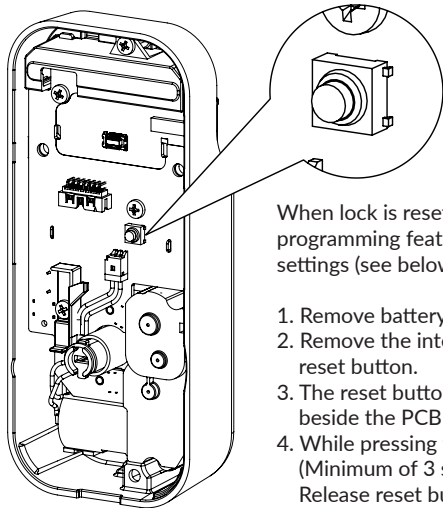
Symptom	Suggested Action
Lock does not respond - door is open and accessible.	<ul style="list-style-type: none">• Check batteries are installed and oriented correctly (polarity) in the battery case.• Check batteries are in good condition; replace batteries* if discharged.
Lock does not respond - door is locked and inaccessible.	<ul style="list-style-type: none">• Batteries may be completely discharged.• Use your physical key to unlock the door.
Unit is on for a while then shows no reaction.	<ul style="list-style-type: none">• Batteries do not have enough power. Replace batteries*.
Unit Chimes when unlocking with smartphone app, but the door will not open.	<ul style="list-style-type: none">• Check door gaps for any foreign objects between door and frame.
Unit operates to allow access, but will not automatically re-lock	<ul style="list-style-type: none">• Check to see if Auto Re-lock Mode is enabled.• Disable Auto Re-lock Mode to lock the door (automatically).• If low battery indicator is indicated in the Yale Access App (see below), change batteries*.

* When batteries are replaced. Network Module locks have a real time clock that will be set through the User Interface (UI); it is recommended to verify correct date and time particularly those locks operation under Daylight Saving Time (DST).

NOTE TO INSTALLER AND CONSUMER

While EMTEK has included several features to prevent lockout (low battery warnings), it is still possible for a lockout situation to occur. Because this product has a mechanical override (a key), EMTEK recommends you carry your keys with you to prevent lockout.

Resetting Lock to Factory Default



When lock is reset to factory defaults, all programming features are reset to original default settings (see below).

1. Remove battery cover and batteries.
2. Remove the interior escutcheon to access the reset button.
3. The reset button (see image) is located beside the PCB cable connector.
4. While pressing the reset button (Minimum of 3 seconds) reinstall batteries. Release reset button.
5. Replace battery cover.

Factory Settings

Settings	Factory Settings
Automatic Re-lock	Disabled
Inside Indicator Light	Disabled (Off)
Volume Setting	Enabled (Low)
Lockout Mode	Disabled
Automatic Re-lock Time	30 Seconds

Compliance

FCC INTERFERENCE STATEMENT

This device complies with Part 15 of the FCC Rules. Operation is subject to the following two conditions. (1) This device may not cause harmful interference, and (2) this device must accept any interference received, including interference that may cause undesired operation.

This equipment has been tested and found to comply with the limits for a Class B digital device, pursuant to Part 15 of the FCC Rules. These limits are designed to provide reasonable protection against harmful Interference in a residential installation.

This equipment generates, uses and can radiate radio frequency energy and, if not installed and used in accordance with the instructions, may cause harmful interference to radio communications.

However, there is no guarantee that interference will not occur in a particular installation. If this equipment does cause harmful interference to radio or television reception, which can be determined by turning the equipment off and on, the user is encouraged to try to correct the interference by one of the following

- Reorient or relocate the receiving antenna.
- Increase the separation between the equipment and receiver
- Connect the equipment into an outlet on a circuit different from that to which the receiver is connected.
- Consult the dealer or an experienced radio/TV technician for help.

FCC Caution: Any changes or modifications not expressly approved by the party responsible for compliance could void the user's authority to operate this equipment.

This transmitter must not be co-located or operating in conjunction with any other antenna or transmitter.

Radiation Exposure Statement:

This equipment complies with FCC radiation exposure limits set forth for an uncontrolled environment. This equipment should be installed and operated with minimum distance 20cm between the radiator & your body.

INDUSTRY CANADA COMPLIANT

This device complies with RSS-210 of the Industry Canada Rules. Operation is subject to the following two conditions: (1) This device may not cause harmful interference, and (2) this device must accept any interference received, including interference that may cause undesired operation.

Radiation Exposure Statement:

This equipment complies with IC radiation exposure limits set forth for an uncontrolled environment. This equipment should be installed and operated with minimum distance 20cm between the radiator & your body.

INDUSTRIE CANADA CONFORME

Ce dispositif est conforme à la norme CNR-210 d'industrie Canada applicable aux appareils radio exempts de licence. Son fonctionnement est sujet aux deux conditions suivantes: (1) le dispositif ne doit pas produire de brouillage préjudiciable, et (2) ce dispositif doit accepter tout brouillage reçu, y compris un brouillage susceptible de provoquer un fonctionnement indésirable.

Déclaration d'exposition aux radiations:

Cet équipement est conforme aux limites d'exposition aux rayonnements IC établies pour un environnement non contrôlé. Cet équipement doit être installé et utilisé avec un minimum de 20 cm de distance entre la source de rayonnement et votre corps.


EMTEK®

Tel: 800-356-2741
Fax: 800-577-5771
emtek.com

IN8-EMPCYLMONFUL

07/09/2024

Copyright © Emtek Products Group, LLC. Reproduction in whole or in part without the express written permission of Emtek Products Group, LLC. is prohibited.

 **WARNING:** This product can expose you to chemicals including lead, which is known to the state of California to cause cancer and birth defects or other reproductive harm. For more information go to www.P65Warnings.ca.gov.