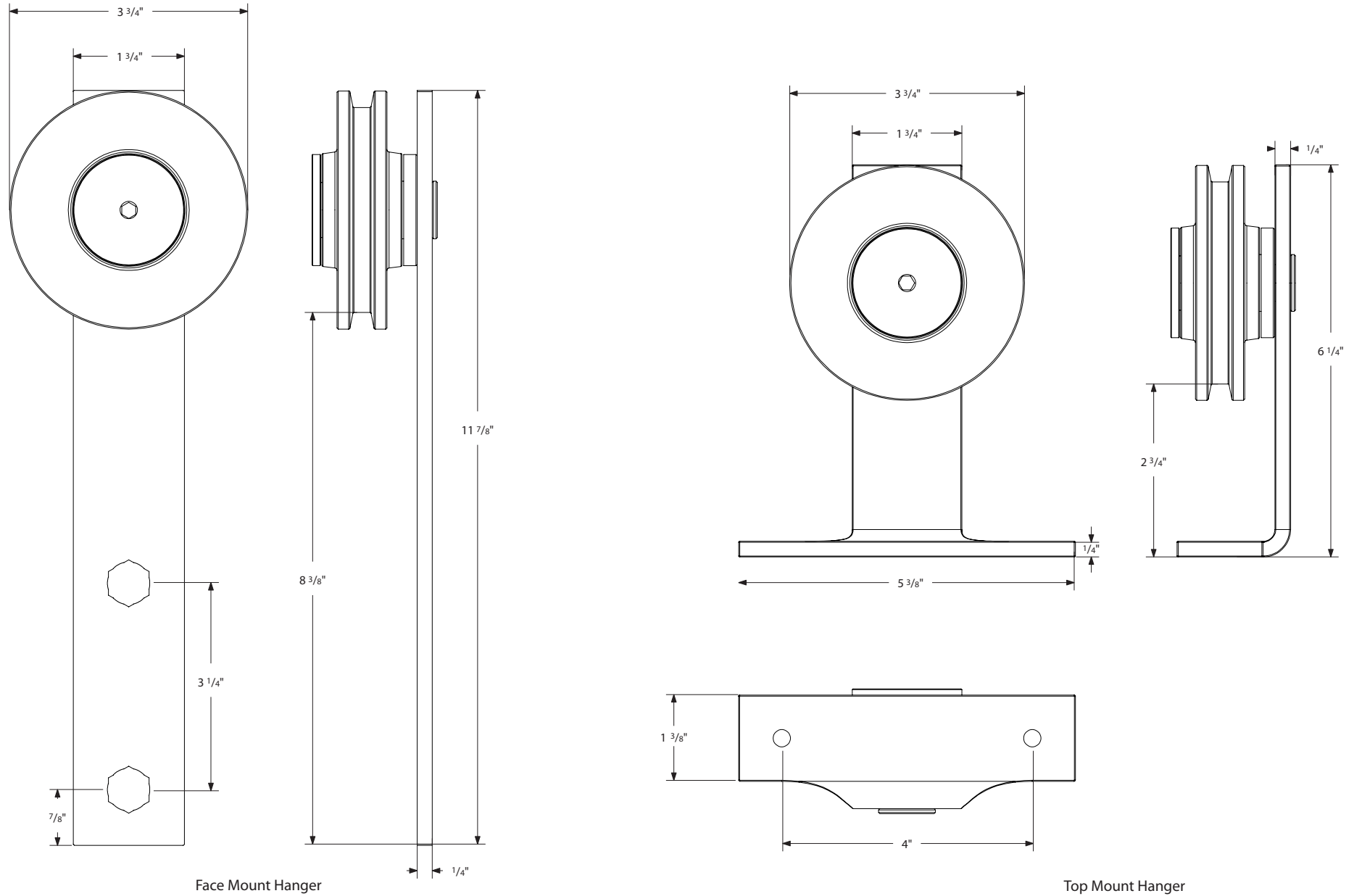


# BARN DOOR HARDWARE - MODERN RECTANGULAR TOP/FACE MOUNT HANGER

**EMTEK.**

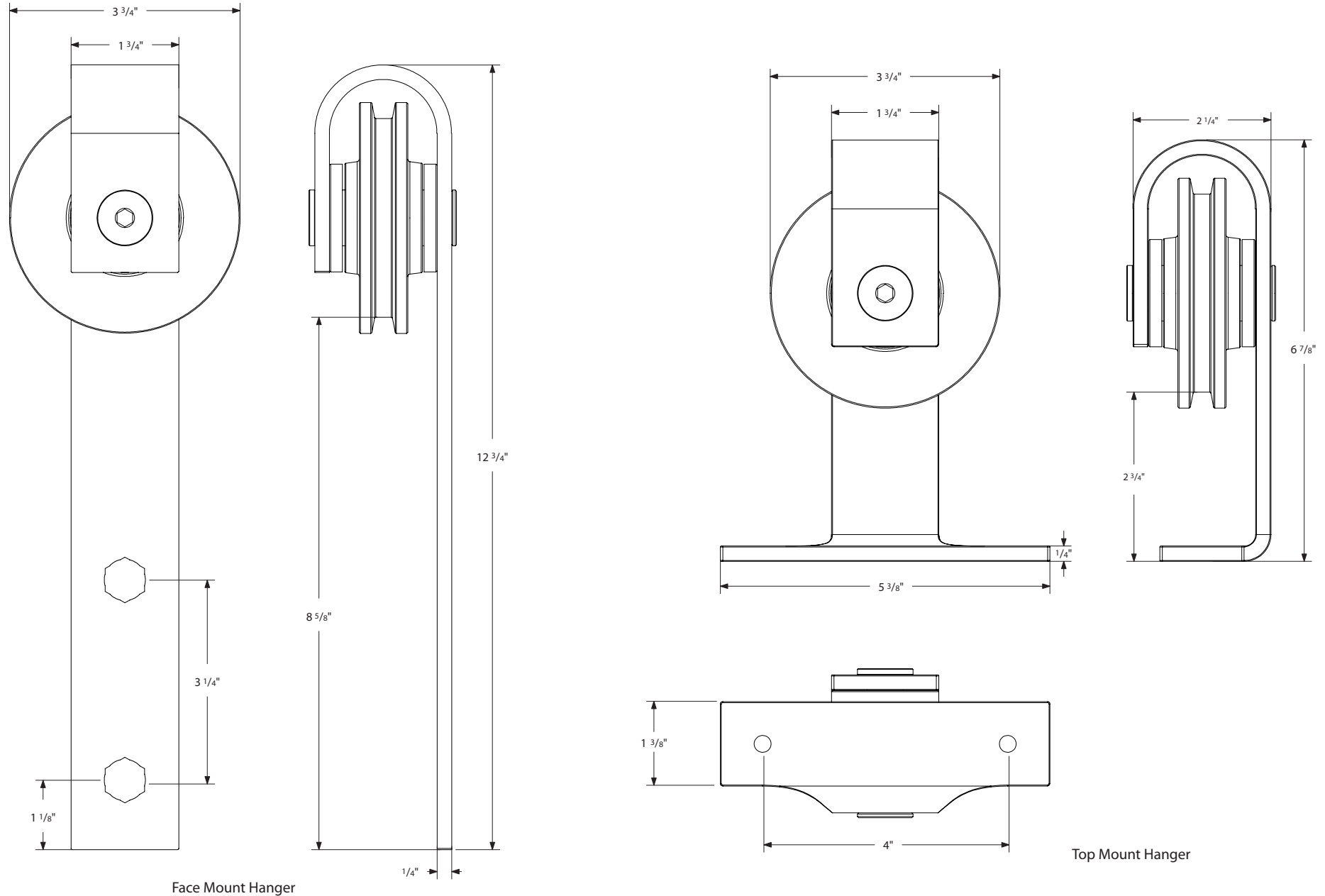


The wall or structure that your system will be mounted on must be designed to support a maximum door weight of 400 lbs.

Note: For general info only. Do NOT use as a drilling template.

# BARN DOOR HARDWARE - CLASSIC TOP/FACE MOUNT HANGER

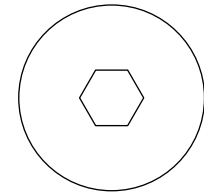
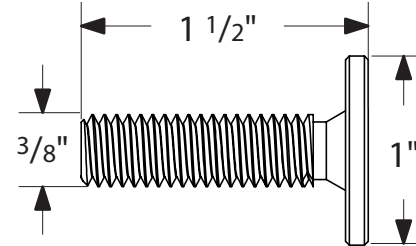
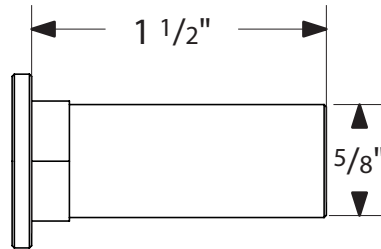
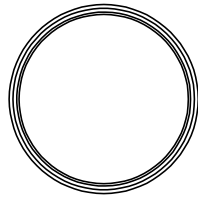
**EMTEK.**



The wall or structure that your system will be mounted on must be designed to support a maximum door weight of 400 lbs.

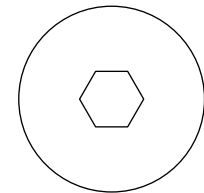
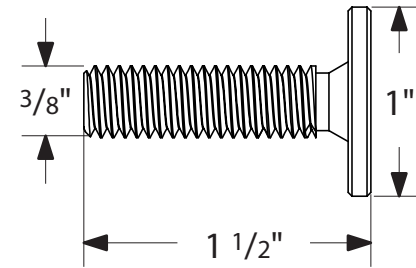
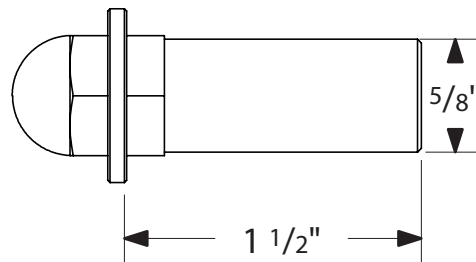
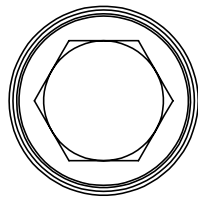
Note: For general info only. Do NOT use as a drilling template.

FLAT



7/32 Hex

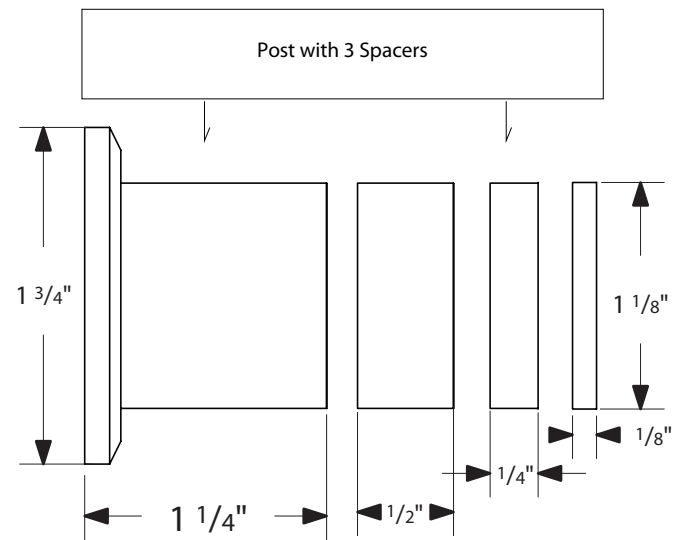
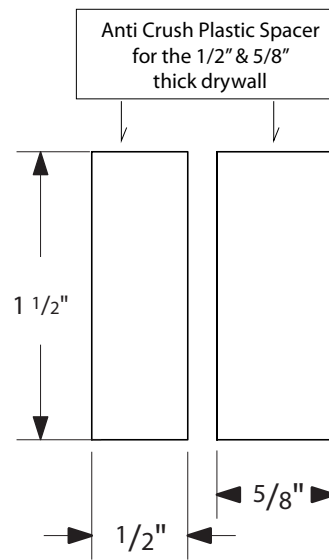
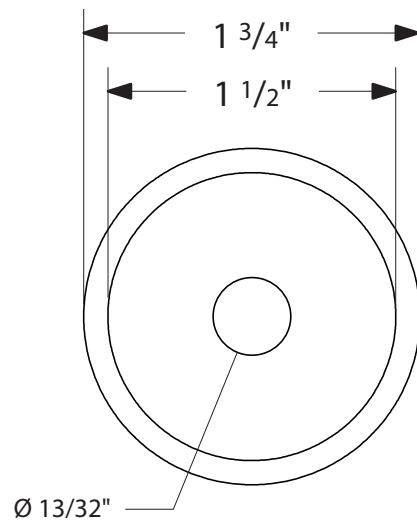
CLASSIC



7/32 Hex

The wall or structure that your system will be mounted on must be designed to support a maximum door weight of 400 lbs.

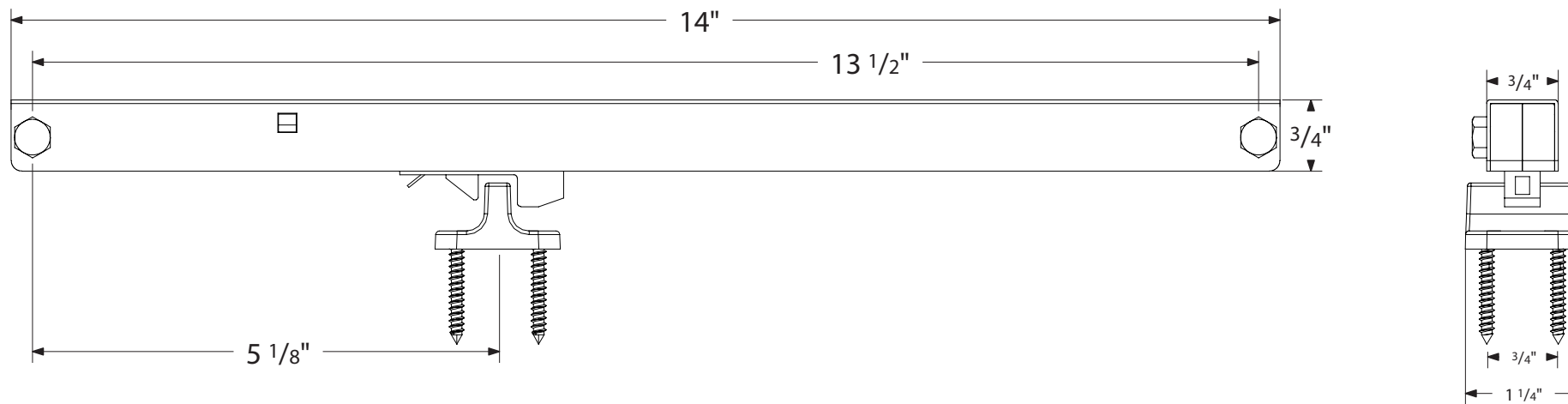
Note: For general info only. Do NOT use as a drilling template.



Without a counterbore, the door thickness is 1-3/8" to 2-1/4"

# BARN DOOR HARDWARE - SOFT OPEN/CLOSE KIT

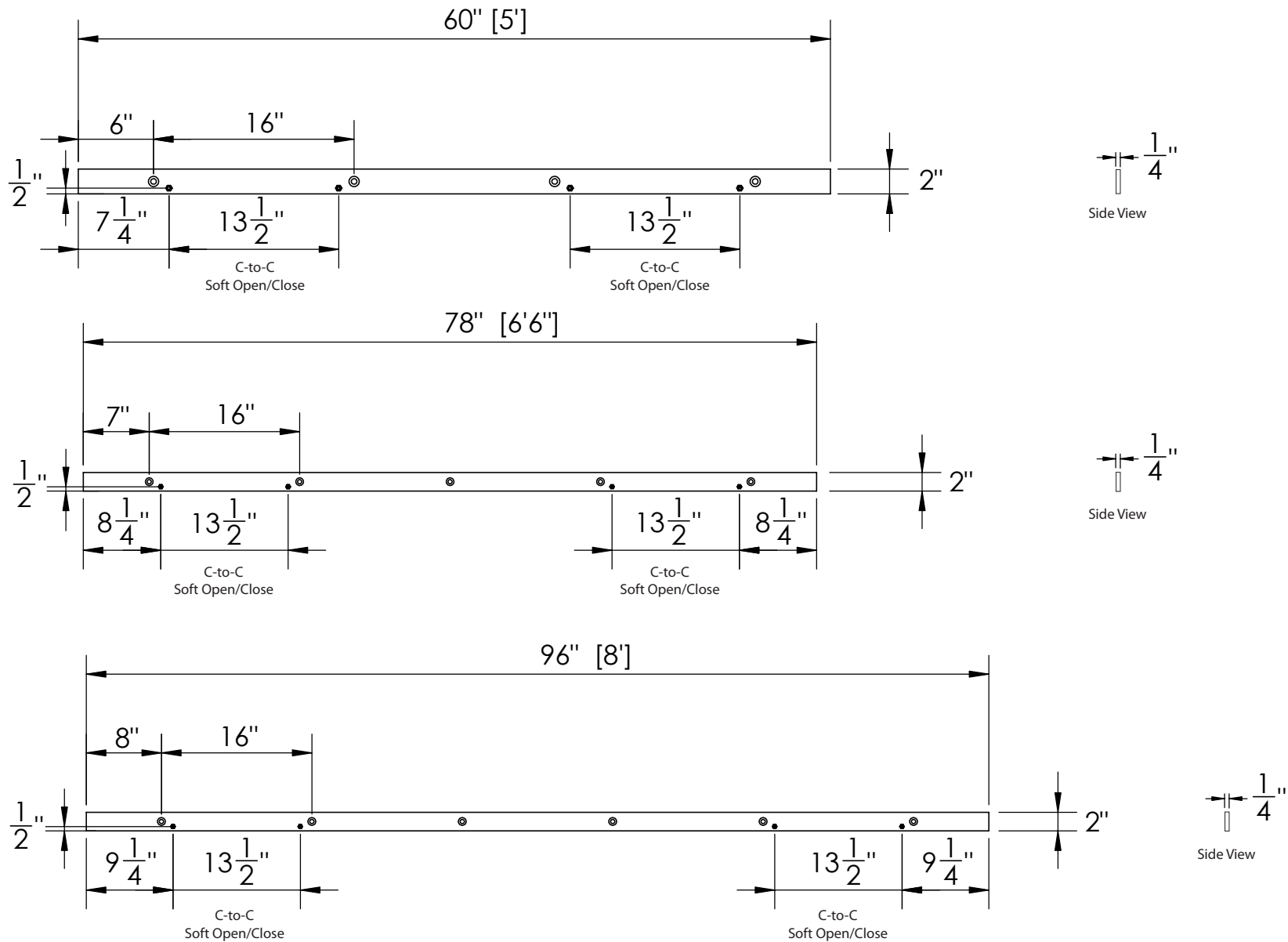
**EMTEK**



The wall or structure that your system will be mounted on must be designed to support a maximum door weight of 400 lbs.

Note: For general info only. Do NOT use as a drilling template.

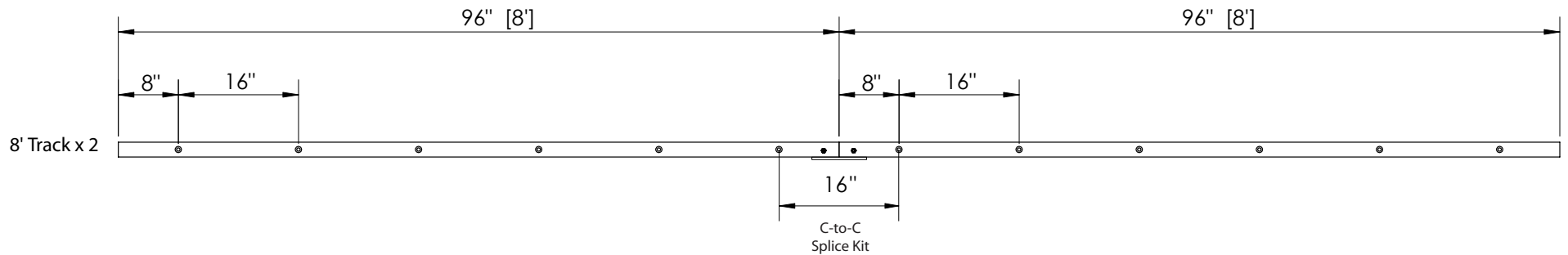
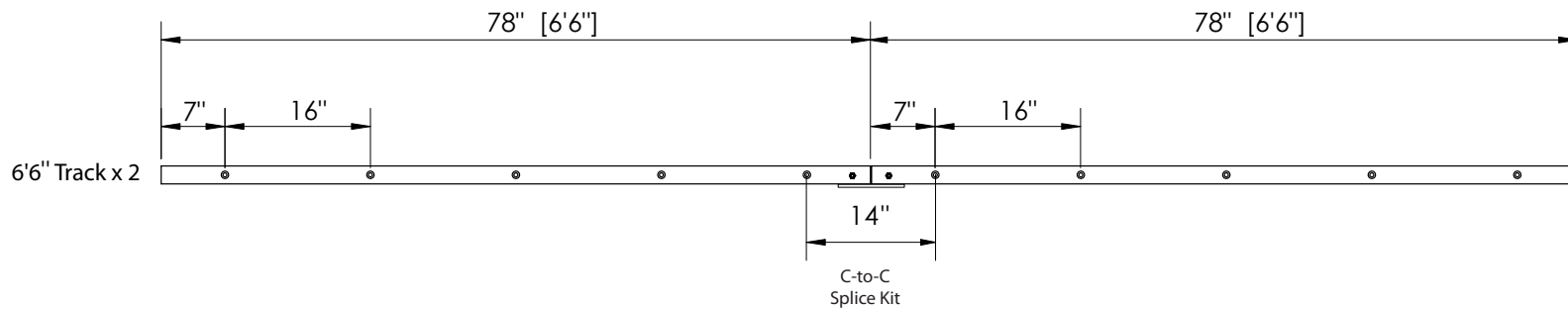
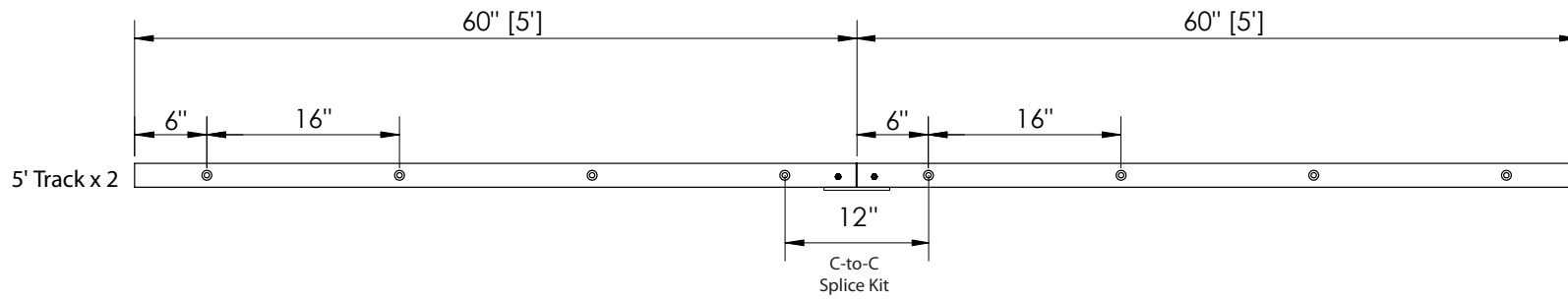
# BARN DOOR HARDWARE - FLAT TRACK LENGTH WITH SOFT OPEN/CLOSE MEASUREMENTS



The wall or structure that your system will be mounted on must be designed to support a maximum door weight of 400 lbs.

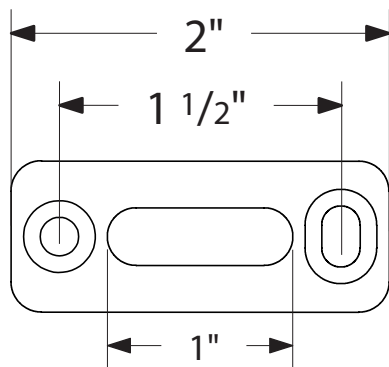
Note: For general info only. Do NOT use as a drilling template.

# BARN DOOR HARDWARE - FLAT TRACK LENGTH WITH SPLICE KIT MEASUREMENTS

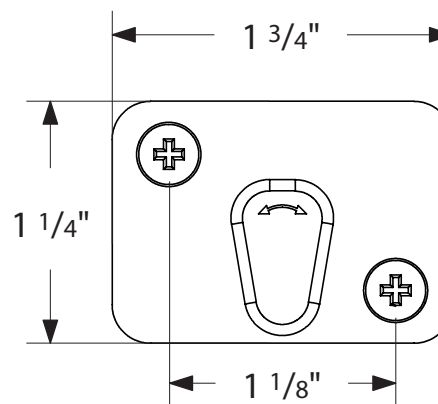
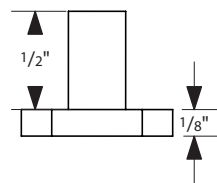


The wall or structure that your system will be mounted on must be designed to support a maximum door weight of 400 lbs.

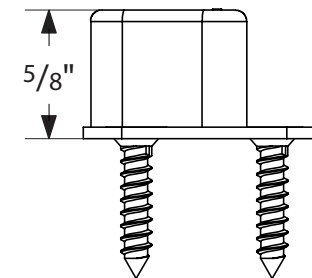
Note: For general info only. Do NOT use as a drilling template.



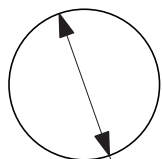
Floor Guide



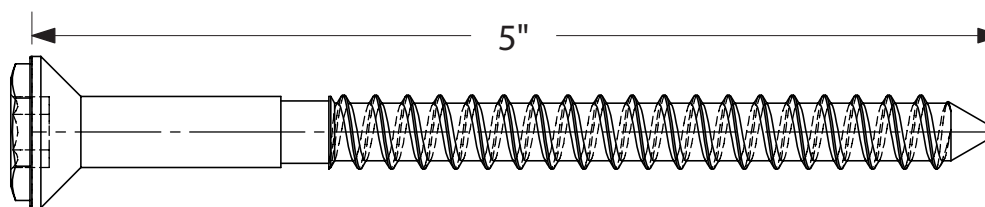
Anti-Jump



HEX 5/16 X .200 DEEP



Ø 3/4"



Track Screw

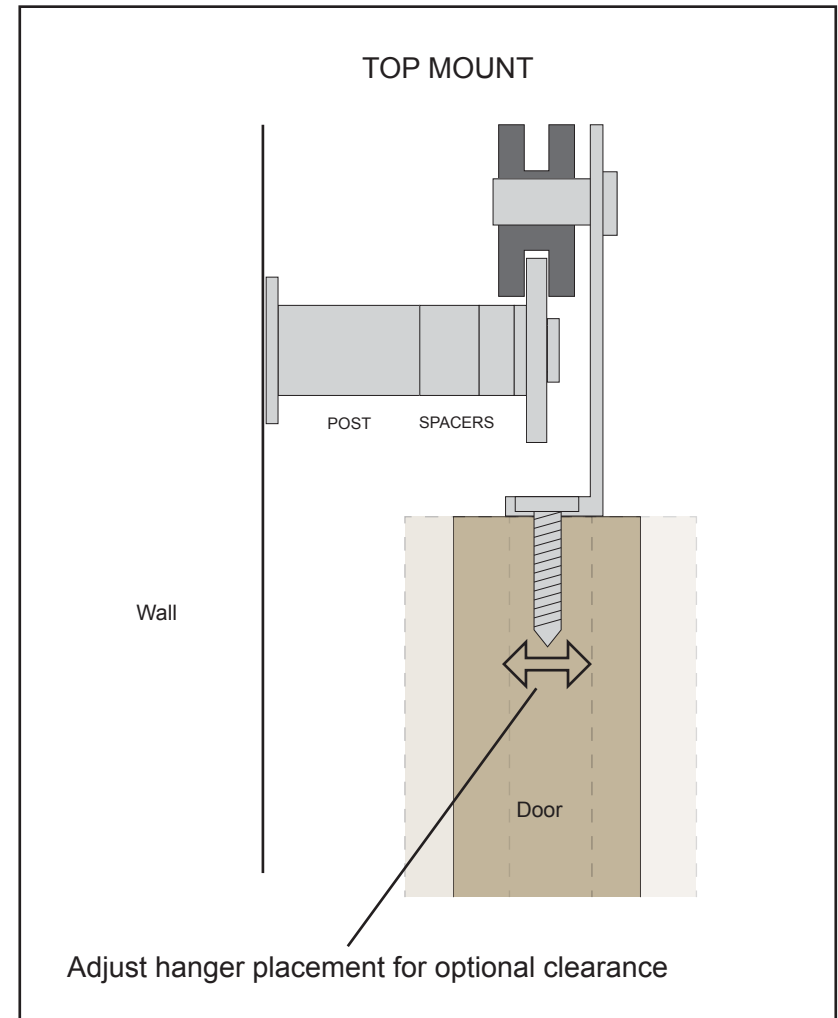
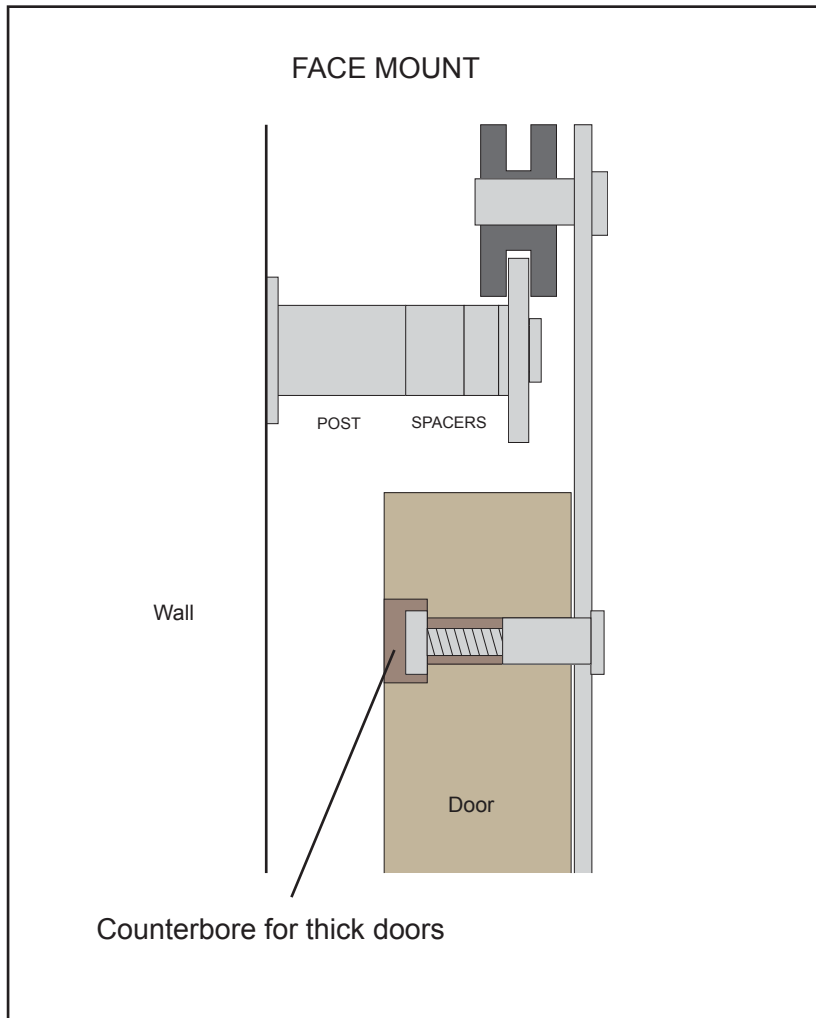
The wall or structure that your system will be mounted on must be designed to support a maximum door weight of 400 lbs.

Note: For general info only. Do NOT use as a drilling template.



## DOOR THICKNESS 1-3/8" to 2-1/4"\*

*\*Up to 2-3/4" thickness can be achieved with use of a counter-bore for face mount hangers and adjusting hanger placement for top mount*



The wall or structure that your system will be mounted on must be designed to support a maximum door weight of 400 lbs.