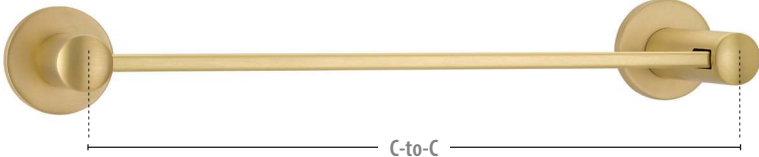
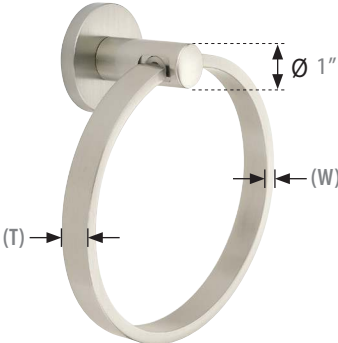


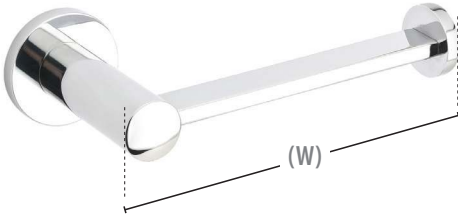
MODERN BRASS BATH HARDWARE

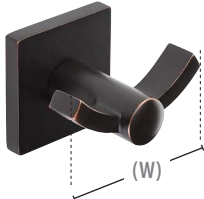
Technical Specifications

EMTEK®

MODERN BRASS TOWEL BAR <i>with Small Disc Rosettes</i>	Product Code	C-to-C
 <p>C-to-C</p>	28024	12"
	28021	18"
	28022	24"
	28023	30"
Projection with Rosettes Shown		3 3/8"
Bar Dimensions		5/16" x 3/4"

MODERN BRASS TOWEL RING <i>with Small Disc Rosette</i>	Product Code	Overall	
 <p>Ø 1"</p> <p>(W)</p> <p>(T)</p>	2801	6 1/2"	
	Projection with Rosette Shown		2 5/8"
	Thickness (T)		3/4"
	Width (W)		3/8"

MODERN BRASS PAPER HOLDER - BAR STYLE <i>with Small Disc Rosette</i>	Product Code		
 <p>(W)</p>	2804		
	Projection with Rosette Shown		2 7/8"
	Bar Dimensions		5/16" x 3/4"
	Width (W)		6 3/8"

MODERN BRASS DOUBLE HOOK <i>with Square Rosette</i>	Product Code		
 <p>(W)</p>	2809		
	Projection with Rosette Shown		2 7/8"
	Width (W)		3 3/8"

Rosettes
<p>3/8" Thick</p> <p>Disk (09)</p>  <p>2 1/2" Dia.</p>
<p>Modern Rectangular (12)</p>  <p>2 1/2" x 4"</p>
<p>Square (10)</p>  <p>2 1/2" x 2 1/2"</p>
<p>Urban Modern (16)</p>  <p>2 1/2" x 2 1/2"</p>
<p>Small Disc (00)</p>  <p>2" Dia.</p>
<p>1/2" Thick</p> <p>Neos (11)</p>  <p>2 5/8" x 4"</p>

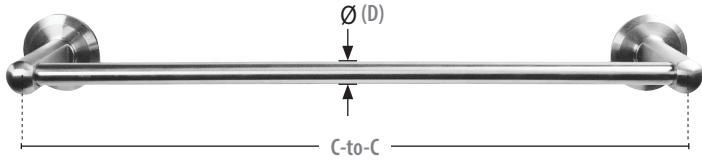
> Rosette size same as on passage sets

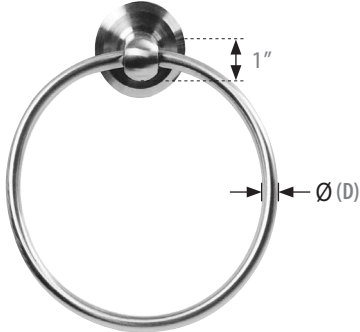
> Please see page 15-17 for additional Rosette options and dimensions.

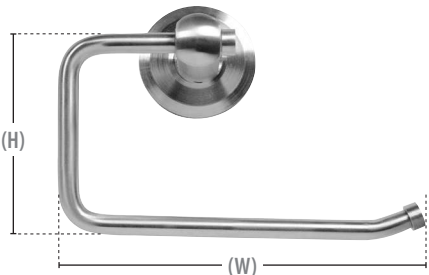
STAINLESS STEEL BATH HARDWARE

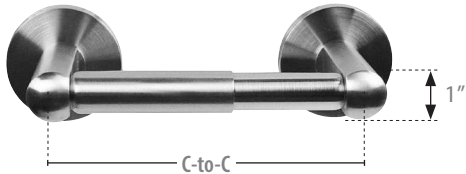
Technical Specifications

EMTEK®

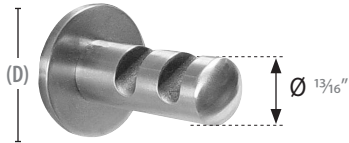
STAINLESS STEEL TOWEL BAR <i>with Beveled Rosettes</i>	Product Code	C-to-C
	S7040	12"
	S7010	18"
	S7020	24"
	S7030	30"
	Projection with Rosettes Shown	3 5/16"
	Bar Diameter (D)	5/8"

STAINLESS STEEL TOWEL RING <i>with Beveled Rosette</i>	Product Code	Overall	
	S7300	6 7/8"	
		Projection with Rosette Shown	2 13/16"
		Diameter (D)	3/8"

STAINLESS STEEL PAPER HOLDER - BAR STYLE <i>with Beveled Rosette</i>	Product Code	
	S7210	
	Projection with Rosette Shown	3 5/16"
	Bar Height (H)	3 7/8"
	Bar Width (W)	6 3/8"

STAINLESS STEEL PAPER HOLDER - SPRING ROD STYLE <i>with Disk Rosettes</i>	Product Code	C-to-C	
	S7220	6 3/16"	
		Projection with Rosettes Shown	3 3/8"

> Please see page 15-17 for additional Rosette options and dimensions.


STAINLESS STEEL SINGLE HOOK	Product Code	
	S71001	
	Projection	2 5/8"
	Rosette Diameter (D)	1 3/4"

>> Rosette options are not available for this product.

Rosettes

3/8" Thick


Beveled (1)



2 7/16" Dia.


Discontinued. No Longer Available

Disk (2)



2 1/2" Dia.

Square (3)



2 1/2" x 2 1/2"

> Rosette size same as on passage sets

TRANSITIONAL BRASS BATH HARDWARE

Technical Specifications

EMTEK®

TRANSITIONAL BRASS TOWEL BAR *with Disk Rosettes*

Product Code	C-to-C
29025	12"
29026	18"
29027	24"
29028	30"

Projection with Rosettes Shown
3 3/8"

Diameter (D)
3/4"

TRANSITIONAL BRASS TOWEL RING *with Modern Rectangular Rosette*

Product Code
2901

Projection with Rosette Shown
3 1/4"

Bar Width (W)
7"

Bar Height (H)
6"

TRANSITIONAL BRASS PAPER HOLDER - BAR STYLE *with Quincy Rosette*

Product Code
2904

Projection with Rosette Shown
3 3/8"

Bar Width (W)
6 7/8"

Bar Height (H)
4 1/4"

TRANSITIONAL BRASS SINGLE HOOK WITH ROSETTE *with Disk Rosette*

Product Code
2909

Projection with Rosette Shown
2 7/8"

Rosettes

3/8" Thick

Regular (0) 2 3/4" Dia.	Rectangular (3) 4 3/8" x 2 9/16"
#8 (8) 4 3/8" x 2 9/16"	Quincy (31) 2 1/2" x 2 1/2"
Disk (09) 2 1/2" Dia.	Square (10) 2 1/2" x 2 1/2"
Modern Rectangular (12) 2 1/2" x 4"	Small Disc (00) 2" Dia.
Watford (22) 2 1/2" Dia.	Small Regular (20) 2" Dia.

7/16" Thick

Oval (2) 4 1/2" x 2 1/2"	Wilshire (61) 3" x 2 1/2"
-----------------------------	------------------------------

1/2" Thick

Neos (11) 2 5/8" x 4"

> Please see page 15-17 for additional Rosette options and dimensions.

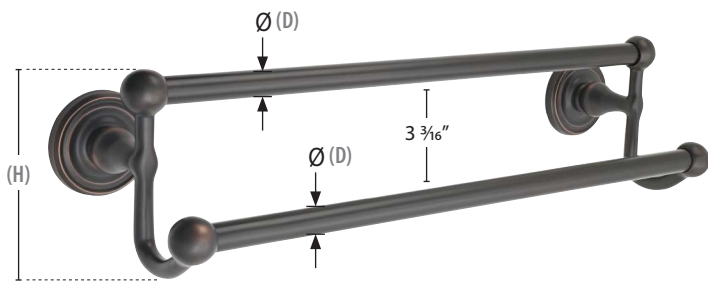
> Rosette size same as on passage sets

TRADITIONAL BRASS BATH HARDWARE

Technical Specifications

EMTEK®

BRASS DOUBLE TOWEL BAR with Regular Rosettes



Product Code C-to-C

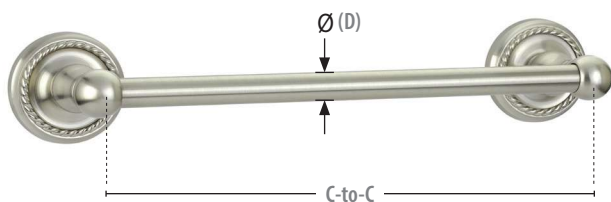
26031	18"
26032	24"
26033	30"

Projection with Rosettes Shown
5 3/8"

Diameter (D)
1 1/16"

Overall Height
4 3/4"

BRASS TOWEL BAR with Rope Rosettes



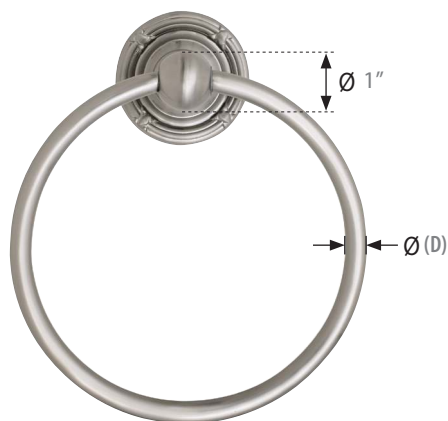
Product Code C-to-C

26024	12"
26021	18"
26022	24"
26023	30"

Projection with Rosettes Shown
3 3/8"

Diameter (D)
1 1/16"

BRASS TOWEL RING with Ribbon & Reed Rosette



Product Code Overall

2601	6 7/8"
------	--------

Projection with Rosette Shown
2 5/8"

Diameter (D)
7/16"

Rosettes

3/8" Thick

Regular (0)



2 3/4" Dia.

Rope (1)



2 3/4" Dia.

Rectangular (3)



4 3/8" x 2 9/16"

Quincy (31)



2 1/2" x 2 1/2"

Lancaster (6)



2 3/4" Dia.

Ribbon & Reed (7)



2 3/4" Dia.

#8 (8)



4 3/8" x 2 9/16"

Small Regular (20)



2" Dia.

7/16" Thick

Oval (2)



4 1/2" x 2 1/2"

Wilshire (61)



3" x 2 1/2"

1/2" Thick

Arts & Crafts
Rectangular (05)



4" x 2 1/2"

> Rosette size same as on passage sets

> Please see page 15-17 for additional Rosette options and dimensions.

TRADITIONAL BRASS BATH HARDWARE

Technical Specifications

EMTEK®

BRASS PAPER HOLDER - BAR STYLE <i>with Rope Rosette</i>	Product Code
	2604
	Projection with Rosette Shown 3 3/8"
	Bar Width (W) 6 3/4"
	Bar Height (H) 3 15/16"

BRASS PAPER HOLDER - SPRING ROD STYLE <i>with Lancaster Rosettes</i>	Product Code
	2605
	C-to-C 6"
	Projection with Rosettes Shown 3 3/8"

BRASS DOUBLE HOOK WITH ROSETTE <i>with Oval Rosette</i>	Product Code
	2609
	Projection with Rosette Shown 2 7/8"
	Width (W) 3 3/8"

BRASS SINGLE HOOK POST <i>with Lancaster Rosette</i>	Product Code
	2608
	Projection with Rosette Shown 3 1/2"

> Please see page 15-17 for additional Rosette options and dimensions.

Rosettes	
<i>3/8" Thick</i>	
Regular (0) 2 3/4" Dia.	Rope (1) 2 3/4" Dia.
Rectangular (3) 4 3/8" x 2 9/16"	Quincy (31) 2 1/2" x 2 1/2"
Lancaster (6) 2 3/4" Dia.	Ribbon & Reed (7) 2 3/4" Dia.
#8 (8) 4 3/8" x 2 9/16"	Small Regular (20) 2" Dia.
<i>7/16" Thick</i>	
Oval (2) 4 1/2" x 2 1/2"	Wilshire (61) 3" x 2 1/2"
<i>1/2" Thick</i>	
Arts & Crafts Rectangular (05) 4" x 2 1/2"	

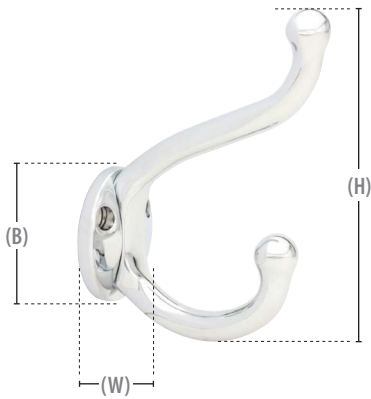
> Rosette size same as on passage sets

TRADITIONAL BRASS BATH HARDWARE

Technical Specifications

EMTEK®

BRASS ROBE HOOK



>> Rosette options are not available for this product.

Product Code

2606

Upper Hook Projection

2 5/8"

Base Height (B)

1 3/4"

Base Width (W)

1 1/2"

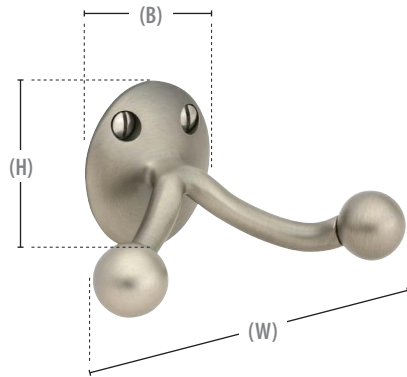
Screw-to-Screw

1"

Overall Height (H)

4"

BRASS DOUBLE HOOK



>> Rosette options are not available for this product.

Product Code

2607

Projection

2 1/8"

Base Height (H)

1 3/4"

Base Width (B)

1 1/2"

Screw-to-Screw

3/4"

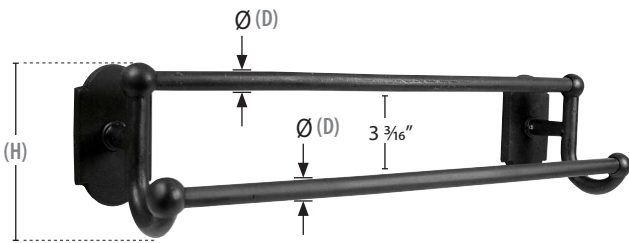
Overall Width (W)

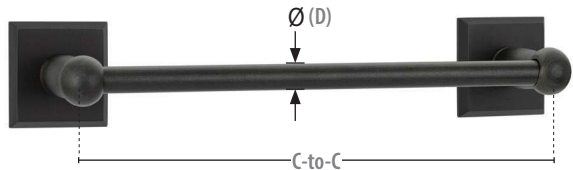
3 1/2"

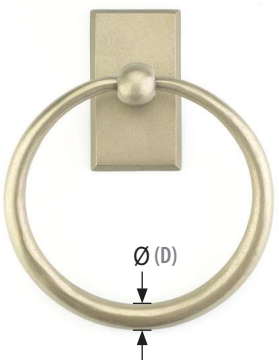
SANDCAST BRONZE BATH HARDWARE

Technical Specifications






EMTEK®

SANDCAST BRONZE DOUBLE TOWEL BAR with #1 Rosettes	Product Code	C-to-C
	23051	18"
	23052	24"
	23053	30"
Projection with Rosettes Shown		5 5/16"
Diameter (D)		5/16"
Overall Height		4 3/4"

SANDCAST BRONZE TOWEL BAR with #6 Rosettes	Product Code	C-to-C
	23024	12"
	23021	18"
	23022	24"
	23023	30"
Projection with Rosettes Shown		3 3/8"
Bar Diameter (D)		5/16"

SANDCAST BRONZE TOWEL RING with #3 Rosette	Product Code	Overall	
	2301	6 1/2"	
	Projection with Rosette Shown		2 1/16"
	Bar Diameter (D)		3/4"

> Please see page 15-17 for additional Rosette options and dimensions.

Rosettes
<p>3/16" Thick</p> <p>#1</p>  <p>4 1/2" x 2 1/2"</p>
<p>#2</p>  <p>2 3/4" Dia.</p>
<p>#3</p>  <p>4 1/2" x 2 1/2"</p>
<p>1/2" Thick</p> <p>#4</p>  <p>4 1/2" x 2 13/16"</p>
<p>7/16" Thick</p> <p>#6</p>  <p>2 1/2" x 2 1/2"</p>

> Rosette size same as on passage sets

SANDCAST BRONZE BATH HARDWARE

Technical Specifications

EMTEK®

SANDCAST BRONZE PAPER HOLDER - BAR STYLE <i>with #1 Rosette</i>	Product Code	Width (W)
	2303	6 1/2"
	Projection with Rosette Shown 3"	
	Diameter (D) 3/4"	

SANDCAST BRONZE PAPER HOLDER - SPRING ROD STYLE <i>with #6 Rosettes</i>	Product Code	
	2304	
	C-to-C 7 5/16"	
	Projection with Rosettes Shown 3"	

SANDCAST BRONZE SINGLE HOOK <i>with #2 Rosette</i>	Product Code
	2308
	Projection with Rosette Shown 2 3/4"

> Please see page 15-17 for additional Rosette options and dimensions.

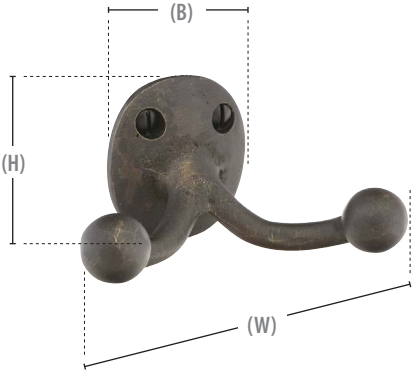
Rosettes
<p>3/16" Thick</p> <p>#1</p> <p>4 1/2" x 2 1/2"</p>
<p>#2</p> <p>2 3/4" Dia.</p>
<p>#3</p> <p>4 1/2" x 2 1/2"</p>
<p>1/2" Thick</p> <p>#4</p> <p>4 1/2" x 2 13/16"</p>
<p>7/16" Thick</p> <p>#6</p> <p>2 1/2" x 2 1/2"</p>

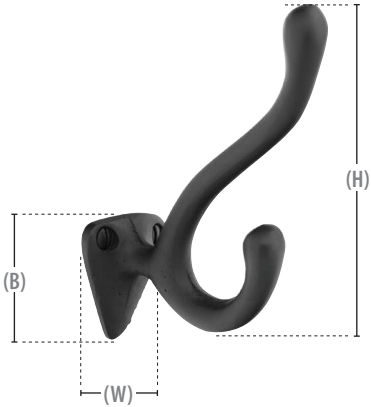
> Rosette size same as on passage sets

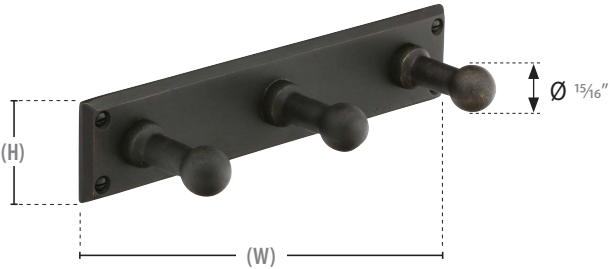
SANDCAST BRONZE BATH HARDWARE

Technical Specifications

EMTEK®

SANDCAST BRONZE DOUBLE HOOK	Product Code
 <p data-bbox="61 730 477 758">>> Rosette options are not available for this product.</p>	2306
	Projection 2 1/8"
	Base Height (H) 1 3/4"
	Base Width (B) 1 1/2"
	Screw-to-Screw 3/4"
	Overall Width (W) 3 5/16"

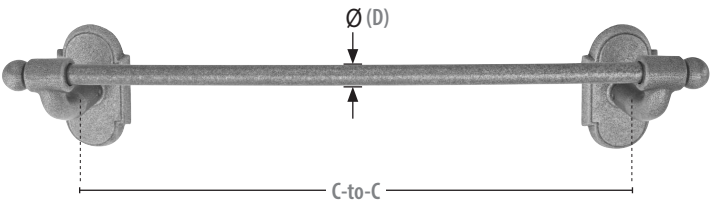
SANDCAST BRONZE ROBE HOOK	Product Code
 <p data-bbox="61 1375 477 1402">>> Rosette options are not available for this product.</p>	86106
	Upper Hook Projection 2 1/2"
	Base Height (B) 1 1/2"
	Base Width (W) 1 1/4"
	Screw-to-Screw 13/16"
	Overall Height (H) 3 7/8"

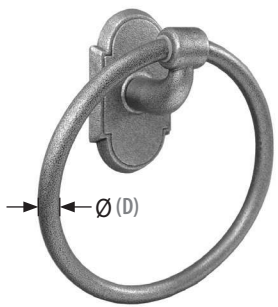
SANDCAST BRONZE 3 HOOKS WITH RECTANGULAR PLATE	Product Code
	2307
	Projection 2 1/2"
	Height (H) 2"
	Width (W) 9 1/2"

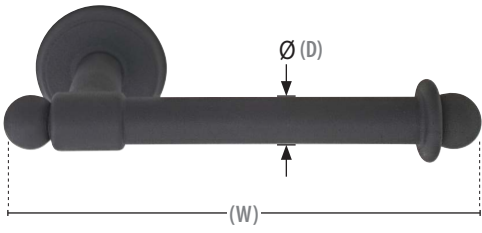
WROUGHT STEEL BATH HARDWARE

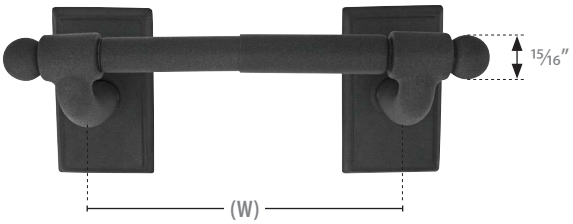
Technical Specifications

EMTEK®

WROUGHT STEEL TOWEL BAR with #1 Rosettes	Product Code	C-to-C
	25024	12"
	25021	18"
	25022	24"
	25023	30"
Projection with Rosettes Shown		3 7/16"
Diameter (D)		5/8"

WROUGHT STEEL TOWEL RING with #1 Rosette	Product Code	Overall	
	2501	6 1/2"	
	Projection with Rosette Shown		2 5/8"
	Bar Diameter (D)		1/2"

WROUGHT STEEL PAPER HOLDER - BAR STYLE with #2 Rosette	Product Code	Width (W)	
	2503	8 1/8"	
	Projection with Rosette Shown		3 3/8"
	Bar Diameter (D)		3/4"

WROUGHT STEEL PAPER HOLDER - SPRING ROD STYLE with #3 Rosettes	Product Code	Width (W)	
	2504	9 7/16"	
	Projection with Rosettes Shown		3 3/8"

Rosettes
<p>3/8" Thick</p> <p>#1</p>  <p>4 3/8" x 2 9/16"</p>
<p>#2</p>  <p>2 5/8" Dia.</p>
<p>#3</p>  <p>4 3/8" x 2 9/16"</p>

> Rosette size same as on passage sets

> Please see page 15-17 for additional Rosette options and dimensions.

WROUGHT STEEL BATH HARDWARE

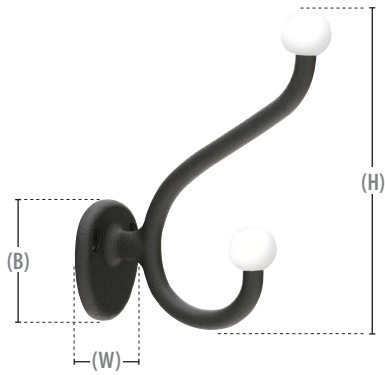
Technical Specifications

EMTEK®

WROUGHT STEEL ROBE HOOK

Product Code

25050



Upper Hook Projection

3"

Base Height (B)

1 1/2"

Base Width (W)

1 1/4"

Screw-to-Screw

1 3/16"

Overall Height (H)

3 13/16"

>> Rosette options are not available for this product.

TUSCANY BRONZE BATH HARDWARE

Technical Specifications

EMTEK®

TUSCANY BRONZE DOUBLE TOWEL BAR with #14 Rosettes	Product Code	C-to-C
	27081	18"
	27082	24"
	27083	30"
<hr/> Projection with Rosettes Shown 5 3/8"		
<hr/> Diameter (D) 9/16"		

TUSCANY BRONZE TOWEL BAR with #12 Rosettes	Product Code	C-to-C
	27024	12"
	27021	18"
	27022	24"
	27023	30"
<hr/> Projection with Rosettes Shown 3 3/8"		
<hr/> Bar Diameter (D) 9/16"		

TUSCANY BRONZE TOWEL RING with #15 Rosette	Product Code	Overall
	2701	6 1/2"
	<hr/> Projection with Rosette Shown 2 5/8"	
	<hr/> Bar Diameter (D) 7/16"	

Rosettes

3/16" Thick

#11

 4 1/2" x 2 1/2"

#12

 2 5/8" Dia.

#14

 4 1/2" x 2 3/8"

#15

 2 1/2" x 2 1/2"


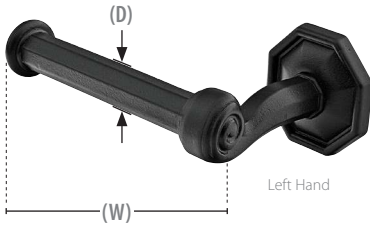
> Rosette size same as on passage sets

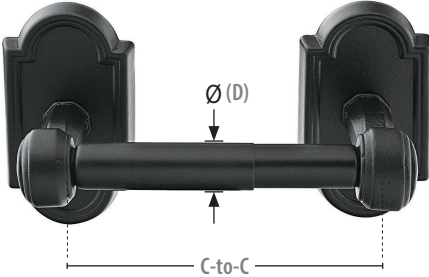
> Please see page 15-17 for additional Rosette options and dimensions.


TUSCANY BRONZE BATH HARDWARE

Technical Specifications

EMTEK®

TUSCANY BRONZE PAPER HOLDER - BAR STYLE with #15 Rosette		Product Code	Width (W)
 <p>Right Hand</p>	 <p>Left Hand</p>	2705RH	6 3/8"
		2705LH	6 3/8"
		Projection with Rosette Shown 3"	
		Dimension (D) 1 3/16"	

TUSCANY BRONZE PAPER HOLDER - SPRING ROD STYLE with #11 Rosettes		Product Code	C-to-C
		2704	7 1/8"
		Projection with Rosettes Shown 3"	
		Diameter (D) 1 3/16"	

TUSCANY BRONZE SINGLE HOOK with #12 Rosette		Product Code	
		2706	
		Projection with Rosette Shown 2 3/4"	
		Dimension (D) 1"	

Rosettes
<p>3/16" Thick</p> <p>#11</p>  <p>4 1/2" x 2 1/2"</p>
<p>#12</p>  <p>2 5/8" Dia.</p>
<p>#14</p>  <p>4 1/2" x 2 3/8"</p>
<p>#15</p>  <p>2 1/2" x 2 1/2"</p>

> Rosette size same as on passage sets

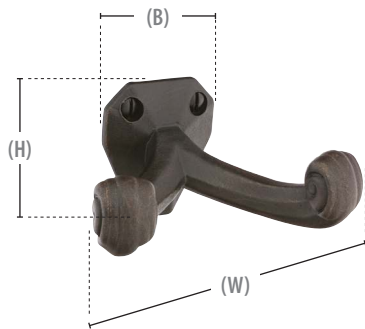
> Please see page 15-17 for additional Rosette options and dimensions.

TUSCANY BRONZE BATH HARDWARE

Technical Specifications

EMTEK®

TUSCANY BRONZE DOUBLE HOOK



>> Rosette options are not available for this product.

Product Code

2707

Projection

2 ¼"

Base Height (H)

1 ¾"

Base Width (B)

1 ½"

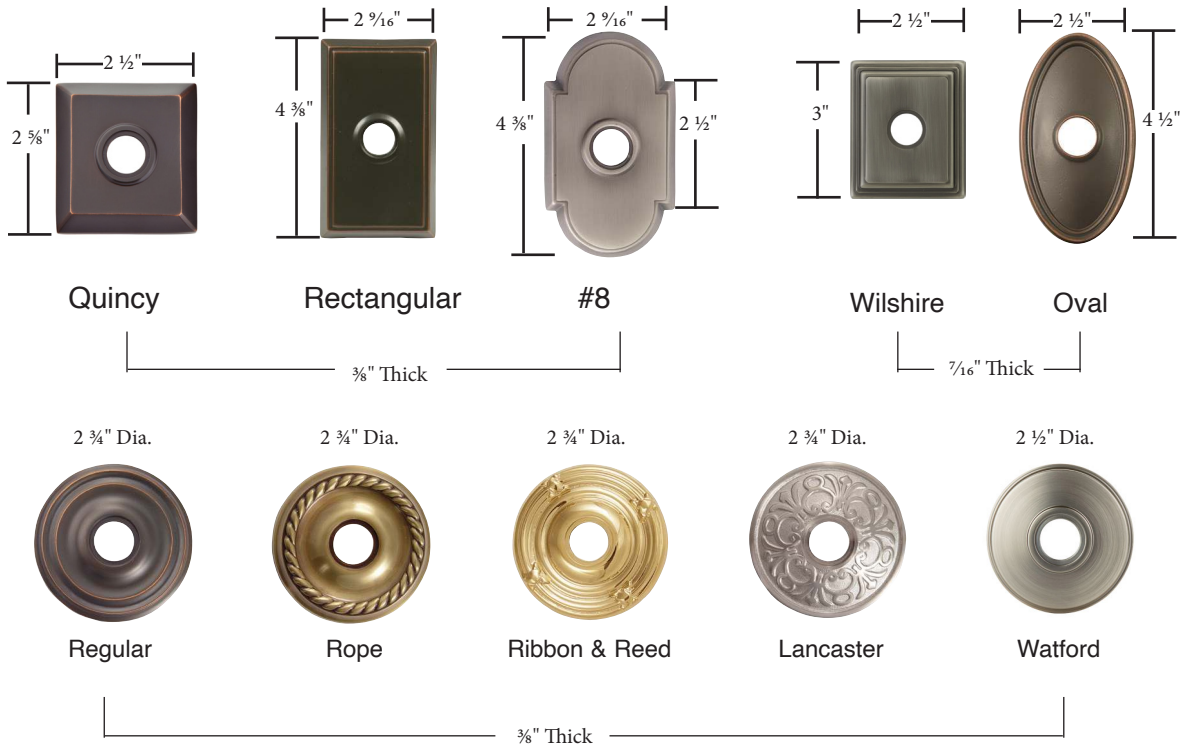
Screw-to-Screw

7/16"

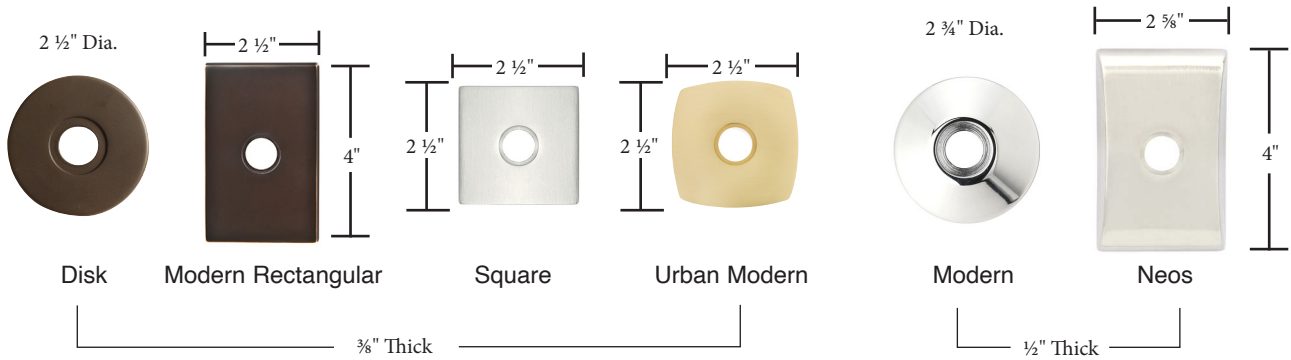
Overall Width (W)

3 ½"

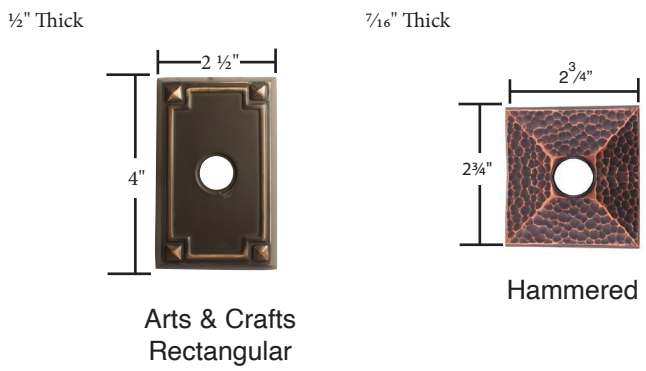
Solid Brass



Modern Brass



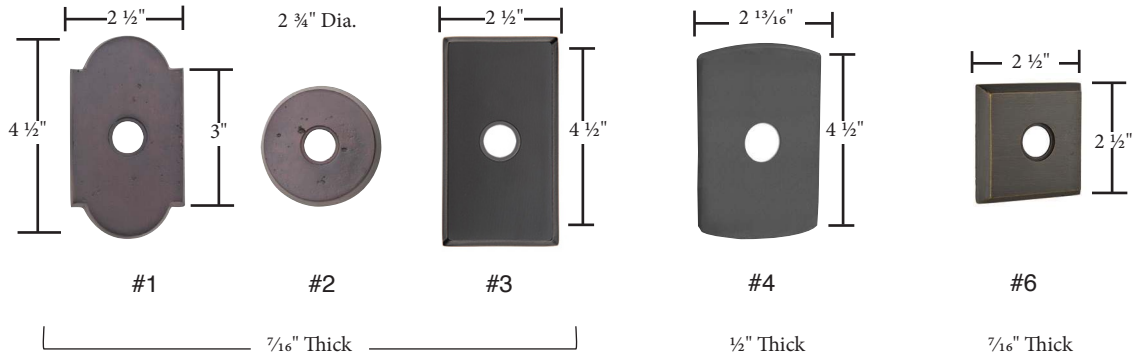
Arts & Crafts Brass



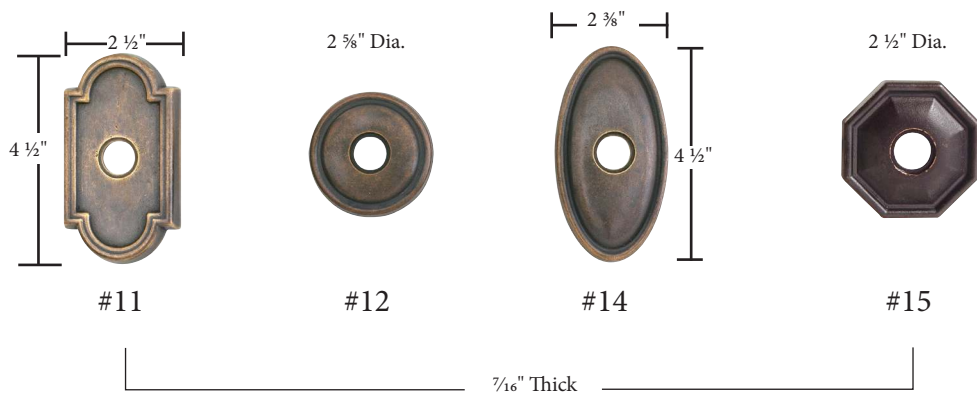
Porcelain



Sandcast Bronze

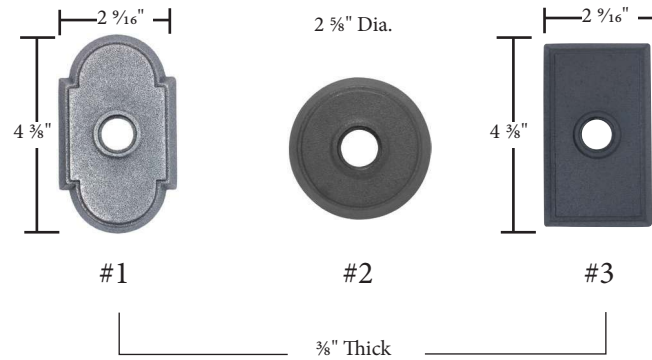


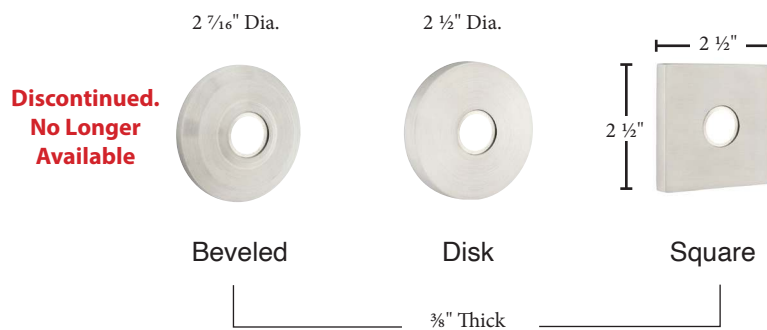
Lost Wax Cast Bronze



- Same dimensions for doorbell buttons
- Screw-to-Screw for rosette/doorbell buttons 1 5/8"

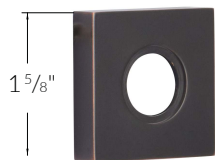
Wrought Steel


Stainless Steel



- Same dimensions for doorbell buttons
- Screw-to-Screw for rosette/doorbell buttons $1 \frac{5}{8}''$

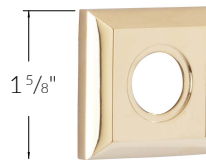
Brass



Small Square



Soft Square

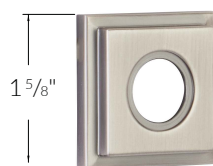


Chamfered Square

1 3/4" Dia.



Step Disk



Step Square

3/8" Thick

2" Dia.



Small Disc

(00)

2" Dia.



Small Regular

(20)