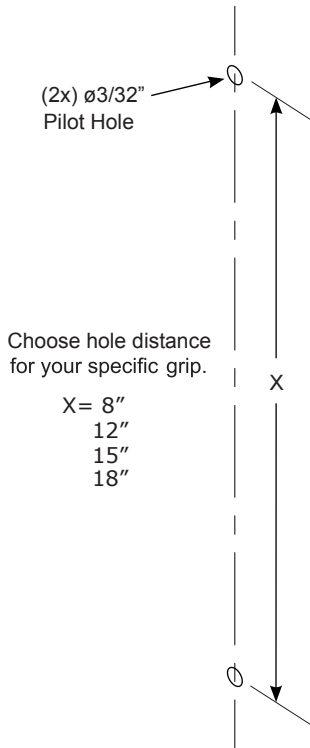


Installation Guide

Concealed Surface Mount for Door Pulls

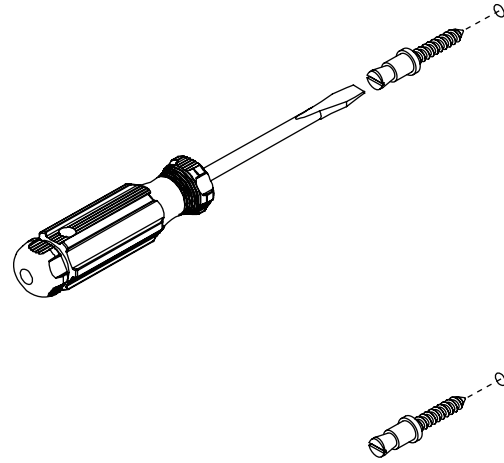
EMTEK®

1. Door Prep

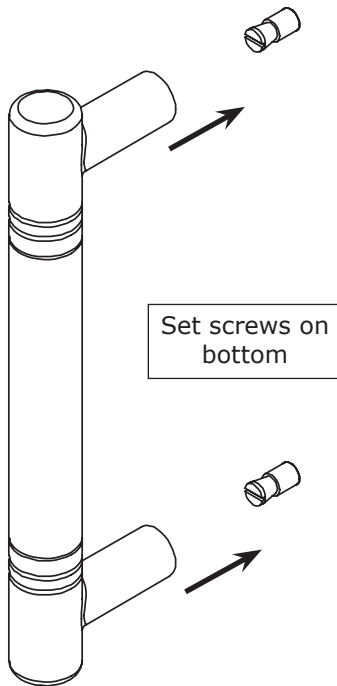


2. Install Screws

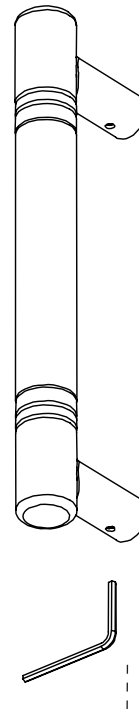
Use a flat head screw driver to thread the screws clockwise into the door.



3. Mount Pull to Door



4. Tighten set screws



WARNING: This product can expose you to chemicals including lead, which is known to the state of California to cause cancer and birth defects or other reproductive harm. For more information go to www.P65Warnings.ca.gov.